

**ELECTRICAL
WIRING
BOOK**

SPH 1.5-3.0

REV.	DESCRIPTION	DATE	APPR.
B02	CHANGED PER MARKUPS	5/28/2009	
B04	CHANGED TO NON-INSULATED	10/5/2010	
B05	CHANGED OAL CUT LENGTH TO 198"	1/4/2012	

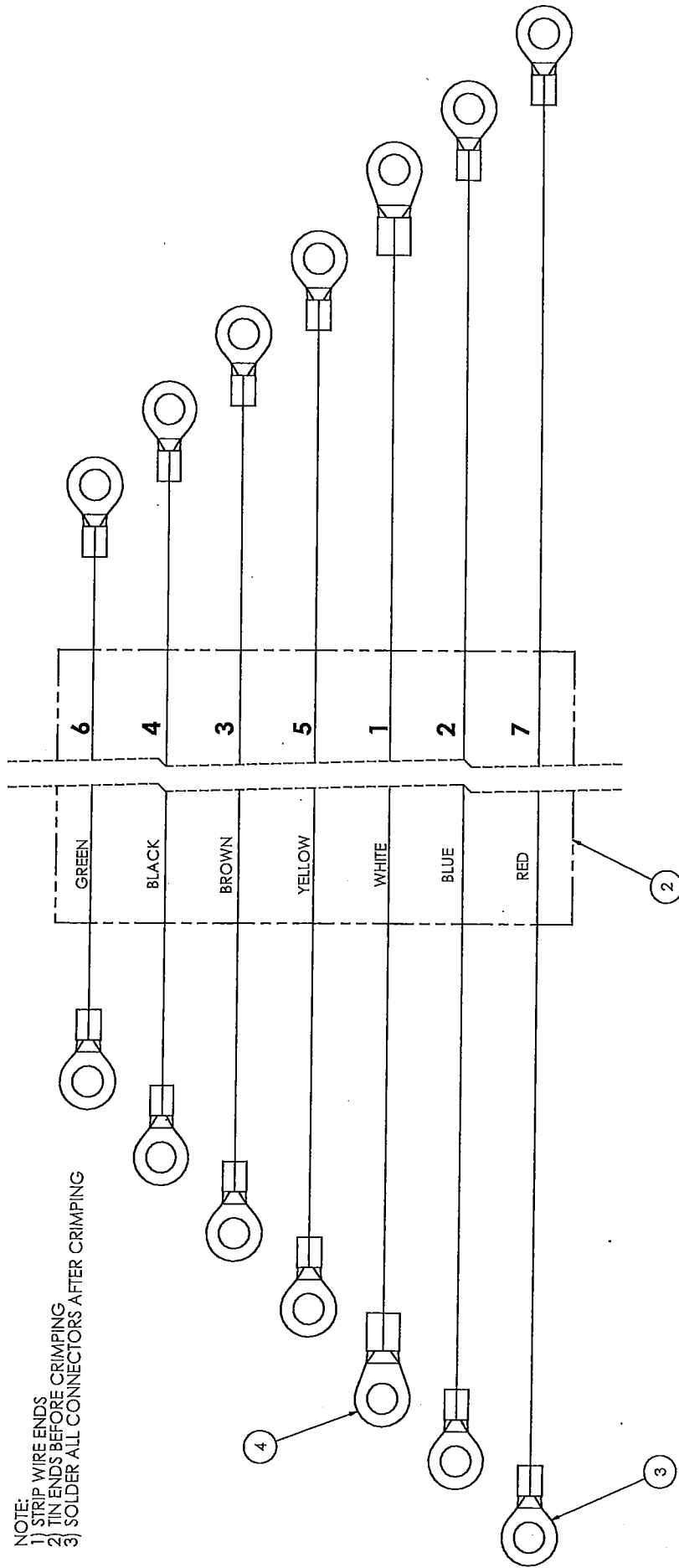
NUMBER WIRES 1-7 BOTH ENDS AS NOTED

NOTE: 198" OVERALL CUT LENGTH

NOTE: USE 8" CUTBACK ON BATTERY BOX SIDE
USE 6" CUTBACK ON JUNCTION BOX SIDE

NOTE:

- 1) STRIP WIRE ENDS
- 2) TIN ENDS BEFORE CRIMPING
- 3) SOLDER ALL CONNECTORS AFTER CRIMPING



ITEM NO.	QTY.	PartNo	Description-1	Description-2
4	2	P10008333	RING TERMINAL	10-STUD, 12-14 GA
3	12	P10007273	RING TERMINAL	10-STUD, 16-14 GA
2	16.25 FT	P10005152	CABLE TRAILER 7-WIRE BLACK	
1	2.5 FT	P10001019	SHRINK TUBE 1/4"	STOCK

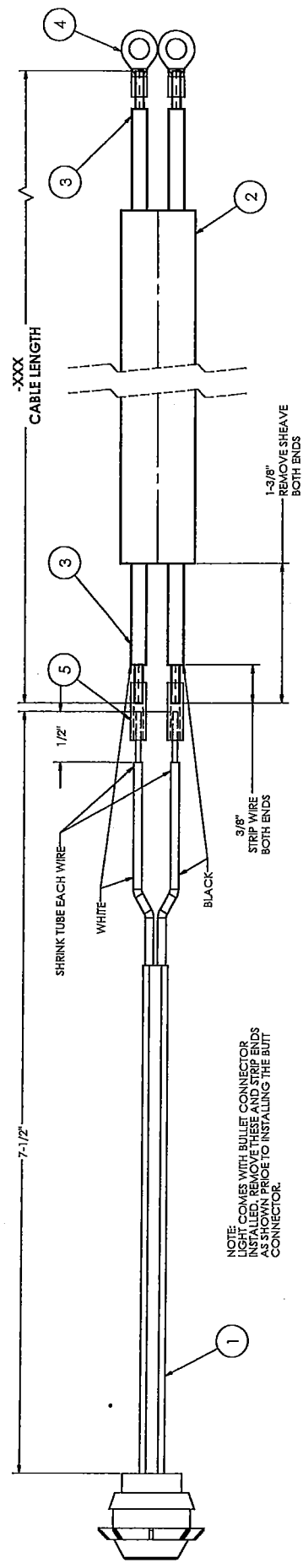
REV.	DESCRIPTION	DATE	APPR.
B02	CHANGED PER MARKUPS	5/28/2009	
B04	CHANGED TO NON-INSULATED	10/5/2010	
B05	CHANGED OAL CUT LENGTH TO 198"	1/4/2012	

FOR TREAT AND CONFIDENTIAL DRAWING USE ONLY. THIS DRAWING IS THE PROPERTY OF STEPP MFG. CO. INC. AND IS NOT TO BE REPRODUCED OR TRANSMITTED IN ANY FORM OR BY ANY MEANS, ELECTRONIC OR MECHANICAL, INCLUDING PHOTOCOPYING, RECORDING, OR BY ANY INFORMATION STORAGE AND RETRIEVAL SYSTEM.	STEPP MFG. CO. INC. 5000 STEPP DRIVE MILWAUKEE, WI 53212	REF: 526440	REV: B04
ROUTINGS	1700	WEIGHT: 0.03	DO NOT SCALE DRAWING
TITLE: WH - SPH MAIN HARNESS		PART NO: A 10005153	
SUBTITLE: JUNCTION TO JUNCTION		SHEET: 1 OF 1	

REV.	DESCRIPTION	DATE	APP'D.
1	ISSUED FOR MARKING	12/22/10	
2	ADDED LENGTH COMPENS.	1/27/21	

Part No.	Length
A10008368	52"
A10008368-000	UNDOCUMENTED
A10008368-096	96"
A10008368-180	180"

SEE PART NO. ON CHART FOR CABLE LENGTH
 -000 REQUIRES DOCUMENTATION RETURNED
 TO ENGINEERING FOR LENGTH AND WHERE USED.



NOTE:
 LIGHT COMES WITH BULLET CONNECTOR
 INSTALLED. REMOVE THESE AND STRIP ENDS
 AS SHOWN PRIOR TO INSTALLING THE BUIT
 CONNECTOR.

ITEM NO.	AS DRAWN/QTY.	PartNo	Description-1	Description-2
5	2	P10002861	16-14 GA BUTT CONNECTOR	NON-INSULATED
4	2	P10007278	RING TERMINAL	10-STUD, 16-14 GA
3	1	P10001019	SHRINK TUBE 1/4	STOCK
2	1	P10005145	WIRE - 18/2 CABLE GRAY	
1	1	P10007246	3/4 INCH MINI COMBINATION AMBER	CLEARANCE LIGHT
ITEM NO.	AS DRAWN/QTY.	PartNo	Description-1	Description-2

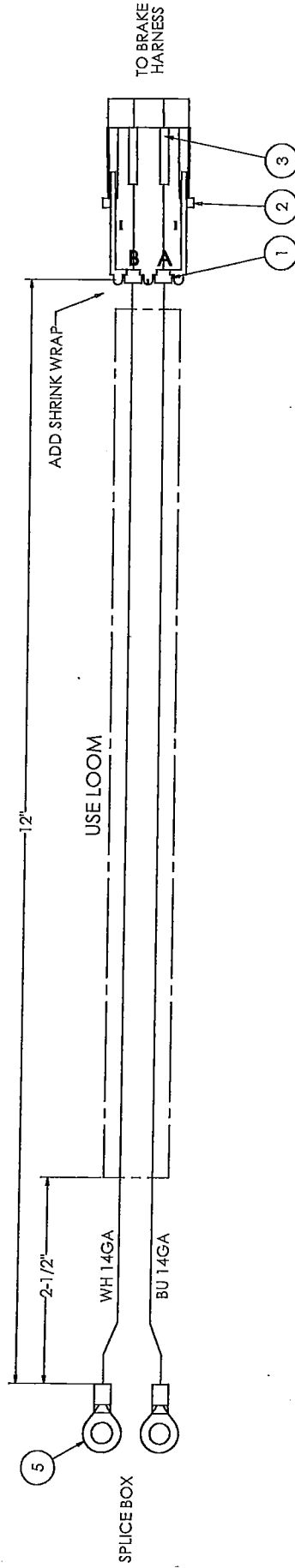
PROPERTY AND CONFIDENTIAL INFORMATION OF STEPP MARKS CO., INC. THIS DRAWING IS TO BE USED ONLY FOR THE PROJECT AND NOT REPRODUCED OR TRANSMITTED IN ANY FORM OR BY ANY MEANS, ELECTRONIC OR MECHANICAL, INCLUDING PHOTOCOPYING, RECORDING, OR BY ANY INFORMATION STORAGE AND RETRIEVAL SYSTEM.

STEPP MFG STEPP MARKS CO., INC.
 2525 N. 10TH AVE. SUITE 100
 DENVER, CO 80217-3200
 TEL: 303.751.1100 FAX: 303.751.1101
 WWW.STEPPMFG.COM

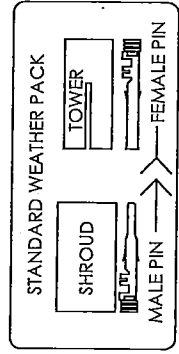
DATE: 1/27/21
 FILE: 3/4 MINI MARKER HARNESS
 PART: STEPP PARTS
 PART NO. A10008368
 QTY: 1000

SCALE: 1:1 WEIGHT: 0.03
 DO NOT SCALE DRAWING SHEET 1 OF 1

REVISIONS		
REV.	DESCRIPTION	DATE
B01	RELEASED FOR PROTOTYPE	18/28/2014
		APPR.



ITEM NO.	QTY.	PartNo	Description-1	Description-2
5	2	P10007273	RING TERMINAL	10-STUD, 16-14 GA.
4	1	P10005744	LOOM FLEX 1/2	BLACK
3	2	P10002850	WEATHERPACK MALE PIN 12GA	WEATHERPACK MALE PIN 12GA
2	1	P10002761	2 CONTACT SHROUD	HALF PACKARD WEATHERPACK
1	2	P10001022	CABLE SEAL WEATHER PACK	WEATHER PACK

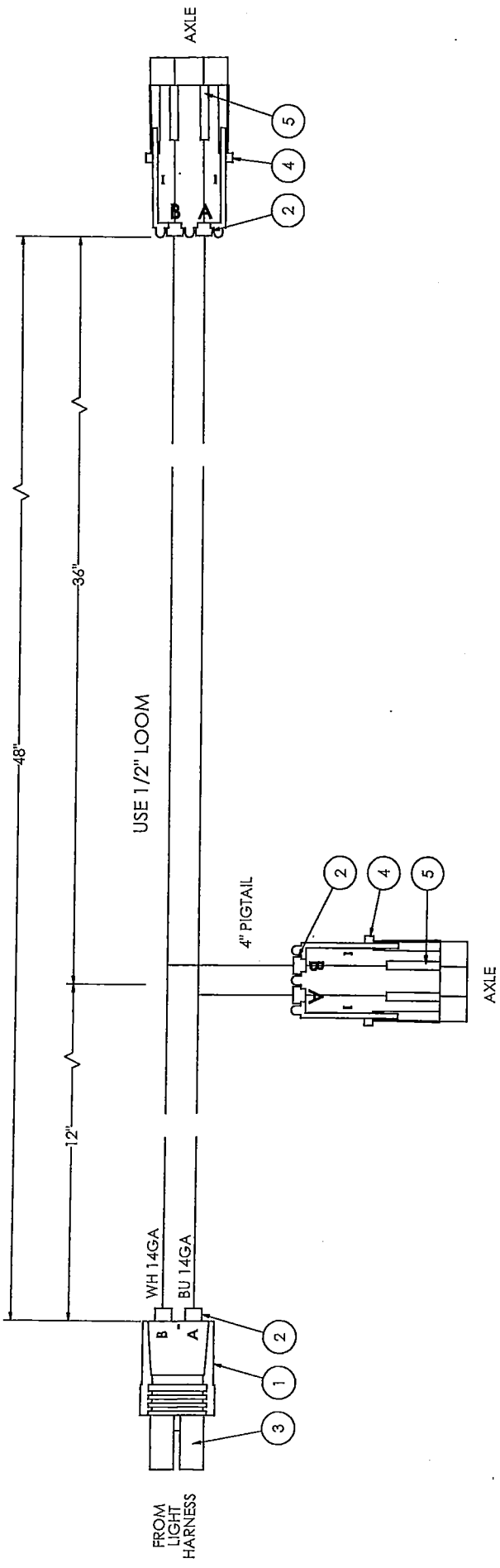


STEPP MFG
 STEPP MFG. CO. INC.
 10000 W. 14TH AVE. #100
 DENVER, CO 80242
 TEL: 303-751-1000
 FAX: 303-751-1001

PART NO. A10014523
 TITLE: V14 - BRAKE SPH
 ELECTRICAL BRACKET

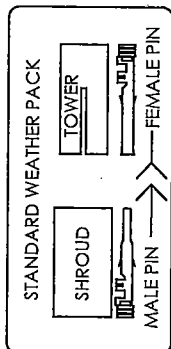
WEIGHT: 0.02
 DO NOT SCALE DRAWING
 SHEET 1 OF 1

REVISIONS		
REV.	DESCRIPTION	DATE
B01	RELEASED FOR PROTOTYPE	10/17/2013
		APPR



HARNES - ELECTRIC BRAKES, TANDEM AXLE

ITEM NO.	QTY.	PartNo	Description-1	Description-2
8	1	P10005744	LOOM FLEX 1/2	BLACK
7	1	P10005224	WIRE - 14 GA - BLUE	WAYTEK WIRE
6	1	P10005221	WIRE - 14 GA - WHITE	WAYTEK WIRE
5	4	P10002850	WEATHERPACK MALE PIN 12GA	WEATHERPACK MALE PIN 12GA
4	2	P10002761	2 CONTACT SHROUD	HALF PACKARD WEATHERPACK
3	2	P10001023	WEATHERPACK FEMALE PIN 12GA	WEATHERPACK FEMALE PIN 12GA
2	6	P10001022	CABLE SEAL WEATHER PACK	WEATHER PACK
1	1	P10001021	2 CONTACT TOWER	HALF PACKARD WEATHERPACK
			Description-1	Description-2

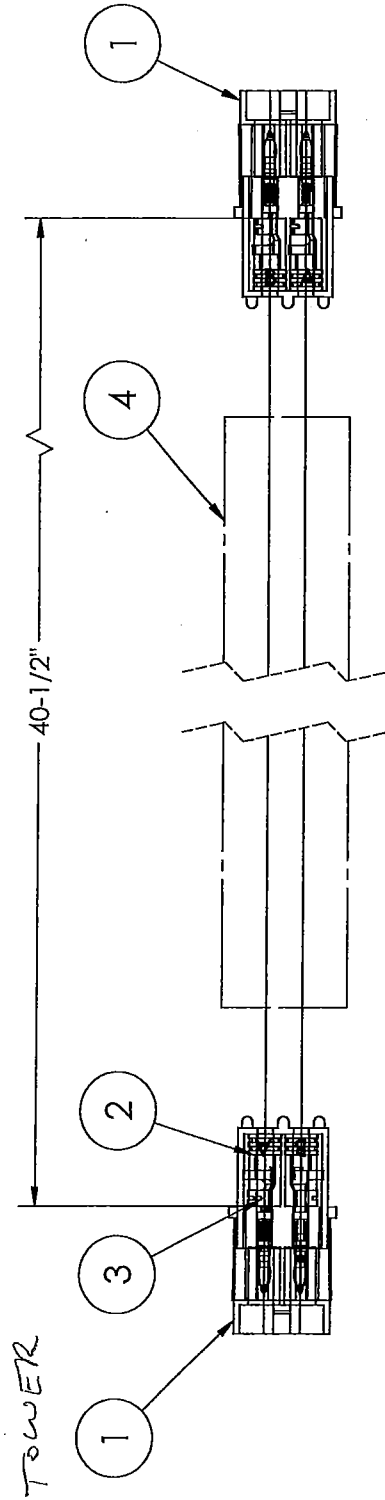


MATERIAL AND CONSTRUCTION INFORMATION: THIS DRAWING IS THE PROPERTY OF STEPP MFG. CO., INC. IT IS TO BE USED ONLY FOR THE MANUFACTURE OF THE PARTS IDENTIFIED HEREIN. ANY REUSE OR MODIFICATION OF THIS DRAWING WITHOUT THE WRITTEN PERMISSION OF STEPP MFG. CO., INC. IS STRICTLY PROHIBITED.

STEPP MFG. STEPP MFG. CO., INC.
 12400 W. 10TH AVE. DENVER, CO. 80233
 TEL: 303.440.1100 FAX: 303.440.1101
 WWW.STEPPMFG.COM

PART NO. A10013217
 REV. 1
 DATE 10/17/2013
 DESCRIPTION WH - ELE BRAKES TANDEM AXLE
 ELECTRICAL
 WEIGHT: 0.05
 SCALE: 2:1
 SHEET 1 OF 1
 DO NOT SCALE DRAWING

ITEM NO.	QTY.	PartNo	Description-1	Description-2	REVISIONS			
					REV.	DESCRIPTION	DATE	APPR
1	2	P10002761	2 CONTACT SHROULD	HALF PACKARD WEATHERPACK	B01	RELEASED FOR PROTOTYPE	10/5/2010	
2	4	P10001022	CABLE SEAL WEATHER PACK	WEATHER PACK				
3	4	P10002850	WEATHERPACK MALE PIN 12GA	WEATHERPACK MALE PIN 12GA				
4	1	P10005150	WIRE - 14/2 CABLE GRAY	BLACK-WHITE				
5	1	P10005164	ELECTRICAL TAPE	BLACK				



NOTE:
 1) STRIP WIRE ENDS
 2) TIN ENDS BEFORE CRIMPING
 3) SOLDER ALL CONNECTORS AFTER CRIMPING

LOCK FORMER:	PROG #	TIP	SPEED	KERF	UNLESS OTHERWISE SPECIFIED:	NAME	DATE
BRAKE:					DIMENSIONS ARE IN INCHES	Each	6/23/2011
SMALL:					TOLERANCES:		1/1/2006
LARGE:					FRACTIONAL: 1/16		
					ANGULAR: MACH: 1/2°		
					ROUND: 3 PLACE DECIMAL ±0.010		
					THREE PLACE DECIMAL ±0.005		
ROUTINGS							
WEIDMANN							
PROG #							
THICKNESS:							
REF#							
DO NOT SCALE DRAWING							
SCALE: 1:8							
WEIGHT: 0.04							
SHEET 1 OF 1							

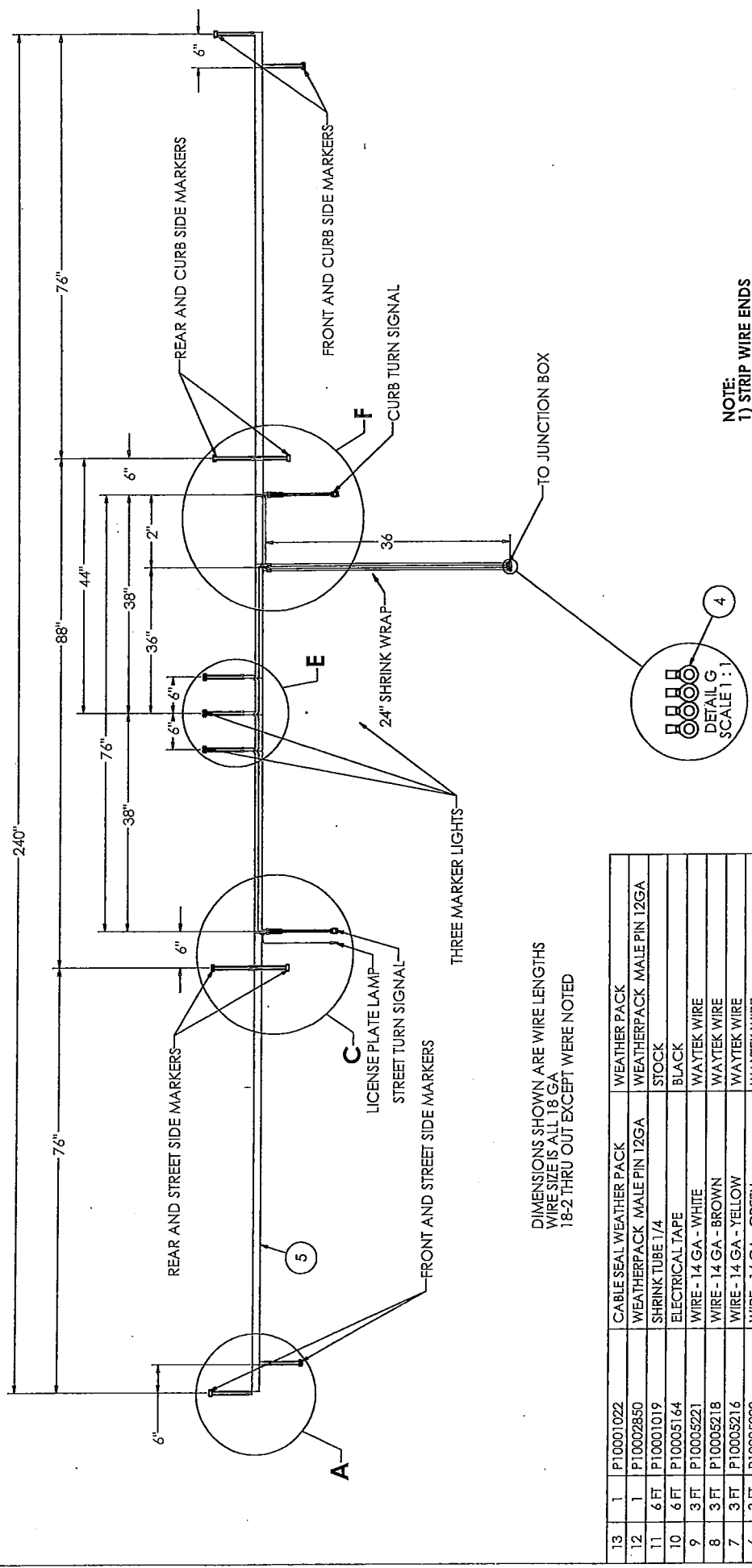
SMCI STEPP MFG. CO. INC.
 12925 River Rd. North Branch, Mn. 55056
 Ph. 651-674-4491 Fax 651-674-4221

TITLE:
 HARNESS, BRAKE SINGLE
 SPH SINGLE BRAKE HARNESS

PART NO. A10008747
 REV B01

QTY-

REVISIONS		
REV.	DESCRIPTION	DATE
003	CHANGED TO MALE WP PIN & BBOX WIRE COLOR	4/18/2013
004	ADDED 6" TO MARKER	4/24/2014
005	REVISED AND REDRAWN	5/8/2014

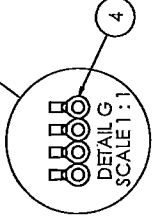


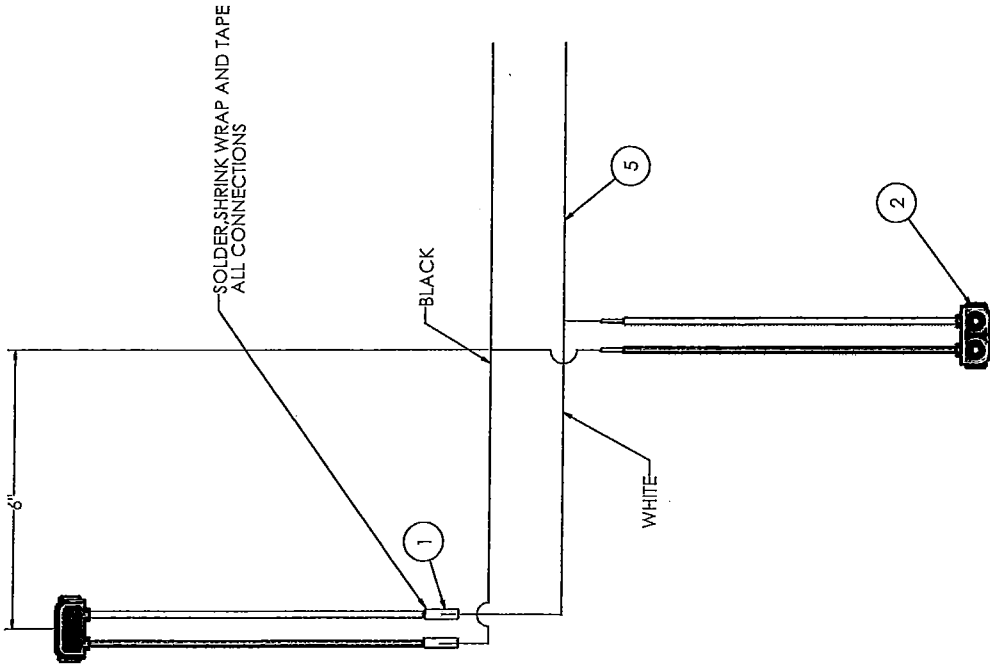
DIMENSIONS SHOWN ARE WIRE LENGTHS
WIRE SIZE IS ALL 18 GA
18-2 THRU OUT EXCEPT WERE NOTED

ITEM NO.	Qty.	Description-1	Description-2
13	1	P10001022	CABLE SEAL WEATHER PACK
12	1	P10002850	WEATHERPACK MALE PIN 12GA
11	6 FT	P10001019	WEATHERPACK MALE PIN 12GA STOCK
10	6 FT	P10005164	SHRINK TUBE 1/4 BLACK
9	3 FT	P10005221	ELECTRICAL TAPE WHITE
8	3 FT	P10005218	WIRE - 14 GA - BROWN
7	3 FT	P10005216	WIRE - 14 GA - YELLOW
6	3 FT	P10005222	WIRE - 14 GA - GREEN
5	19 FT	P10005145	WIRE - 18/2 CABLE GRAY
4	4	P10007273	RING TERMINAL
3	2	P10002867	CONNECTOR PIGTAIL
2	11	P10002866	CONNECTOR PIGTAIL
1	24	P10002861	16-14 GA BUTT CONNECTOR NON-INSULATED

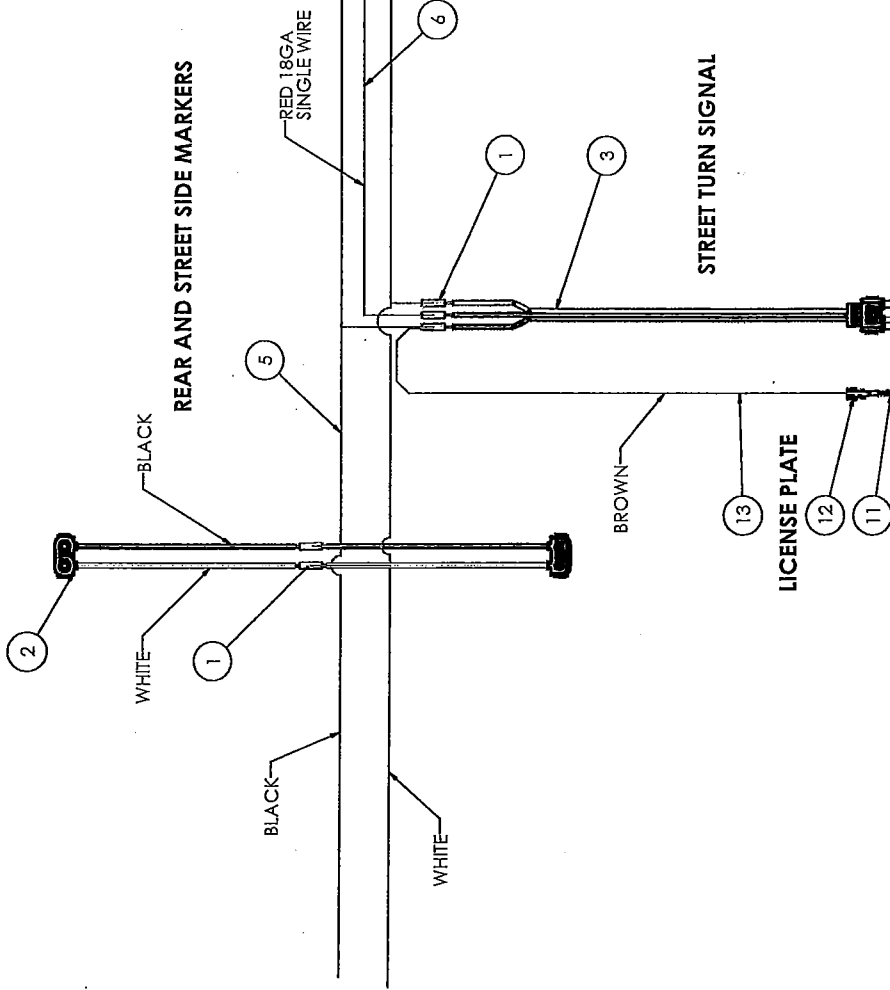
NOTE:
1) STRIP WIRE ENDS
2) TIN ENDS BEFORE CRIMPING
3) SOLDER ALL CONNECTORS AFTER CRIMPING

STEPP MFG. CO., INC. 10000 W. 10TH AVE. SUITE 100 DENVER, CO 80231 (303) 751-1111 WWW.STEPPMFG.COM	DATE: 5/8/2014 DRAWN BY: C05 CHECKED BY: C05 PART NO.: A1000630 QUANTITY: 177 SCALE: 1:8 WEIGHT: 1.77 ELECTRICAL ROUTINGS
--	---





FRONT AND STREET SIDE MARKERS
DETAIL A
 SCALE 1 : 1



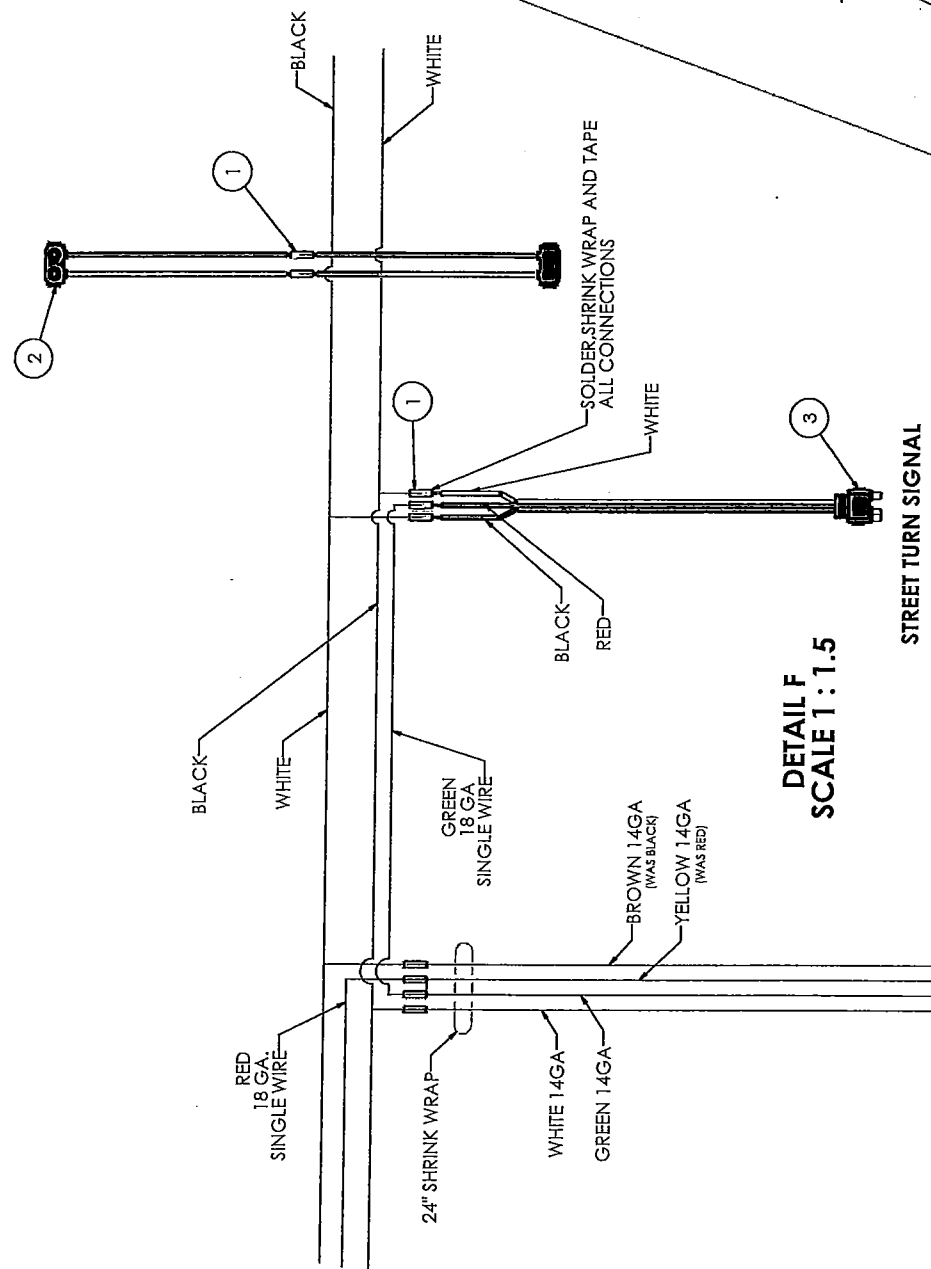
REAR AND STREET SIDE MARKERS

DETAIL C
 SCALE 1 : 1.5

NOTE:
 1) STRIP WIRE ENDS
 2) TIN ENDS BEFORE CRIMPING
 3) SOLDER ALL CONNECTORS AFTER CRIMPING

PROJECT BY: AHS CORPORATION DRAWING NO: 10008430 SHEET NO: 005 DATE: 11/11/83 PROJECT: HOPPER LIGHTS DRAWN BY: J. W. HARRIS CHECKED BY: J. W. HARRIS APPROVED BY: J. W. HARRIS TITLE: HOPPER LIGHTS ROUTINGS		SHEET NO: 005 OF: 005 DATE: 11/11/83 PROJECT: HOPPER LIGHTS
ELECTRICAL SCALE: 1/8 WEIGHT: 177 DO NOT SCALE DRAWING		PART NO: A 10008430 REF:

NOTE:
 1) STRIP WIRE ENDS
 2) TIN ENDS BEFORE CRIMPING
 3) SOLDER ALL CONNECTORS AFTER CRIMPING

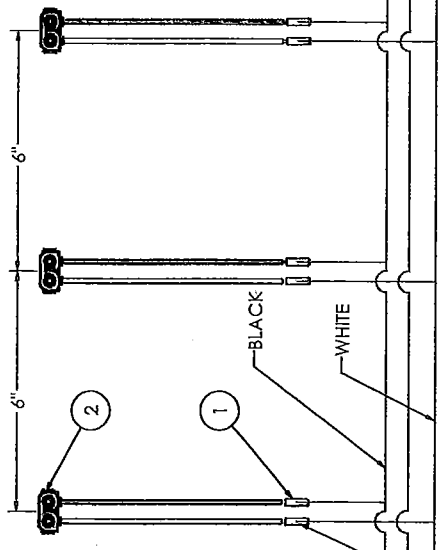


DETAIL F
 SCALE 1 : 1.5

TO JUNCTION BOX

STREET TURN SIGNAL

THREE MARKER LIGHTS



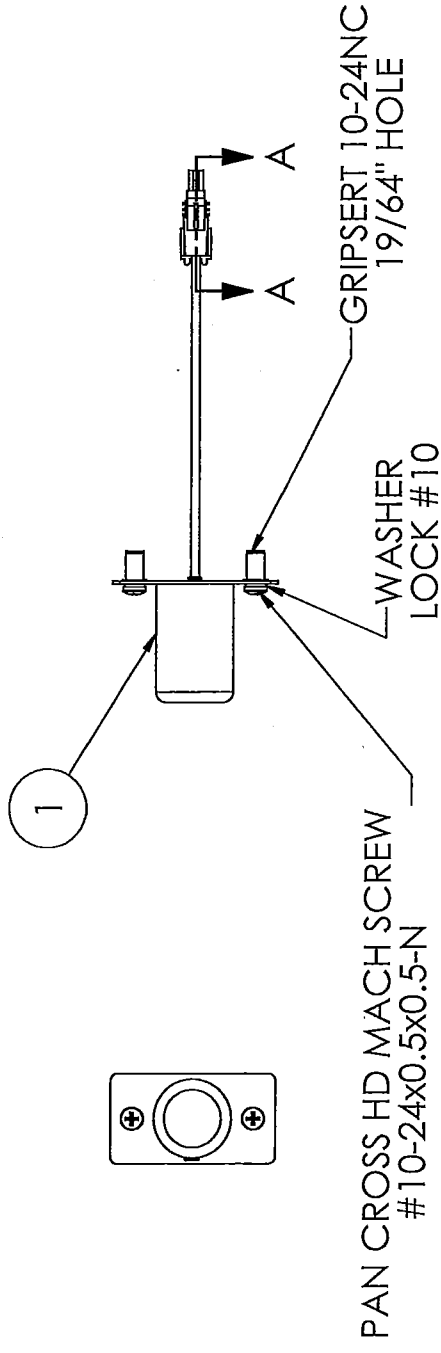
DETAIL E
 SCALE 1 : 1.5

SOLDER, SHRINK WRAP AND TAPE
 ALL CONNECTIONS

COMPANY AND CONTACT INFORMATION SMC SYSTEMS INC. 10000 170TH AVE. N.E. BELLEVUE, WA 98007-3390 TEL: (206) 461-1000 FAX: (206) 461-1001 WWW.SMC-SYSTEMS.COM	PROJECT NO. 100008630	SHEET NO. 1/7	DATE 10/15/03	DRAWN BY J. HOPPER	CHECKED BY J. HOPPER	TITLE HARNESS - SPH 2 LIGHT SYSTEM HOPPER LIGHTS
ELECTRICAL ROUTINGS	REF	WEIGHT: 1.7	SCALE: 1:8	PART NO. A 10008630	L. P. C.05	SHEETS 3 OF 3

REVISIONS			
REV.	DESCRIPTION	DATE	APPR
B01	RELEASED FOR PROTOTYPE	7/28/2010	
B02	CHANGED FASTENERS	8/31/2010	

ITEM NO.	AS DRAWN/QTY.	PartNo	Description-1	Description-2
1	1	P10006767	LICENSE PLATE LIGHT	DOT LICENSE LIGHT
2	1	P10002760	1 CONTACT TOWER	HALF PACKARD WEATHERPACK
3	1	P10001022	CABLE SEAL WEATHER PACK	WEATHER PACK
4	1	P10001023	WEATHERPACK FEMALE PIN 12GA	WEATHERPACK FEMALE PIN 12GA
5	2	P10001608-003	WASHER	LOCK #10
6	2	P10001619-022	PAN CROSS HD MACH SCREW	#10-24x0.5x0.5-N
7	2	P10005842	GRIPSERT 10-24NC	19/64" HOLE



SECTION A-A
SCALE 1:1

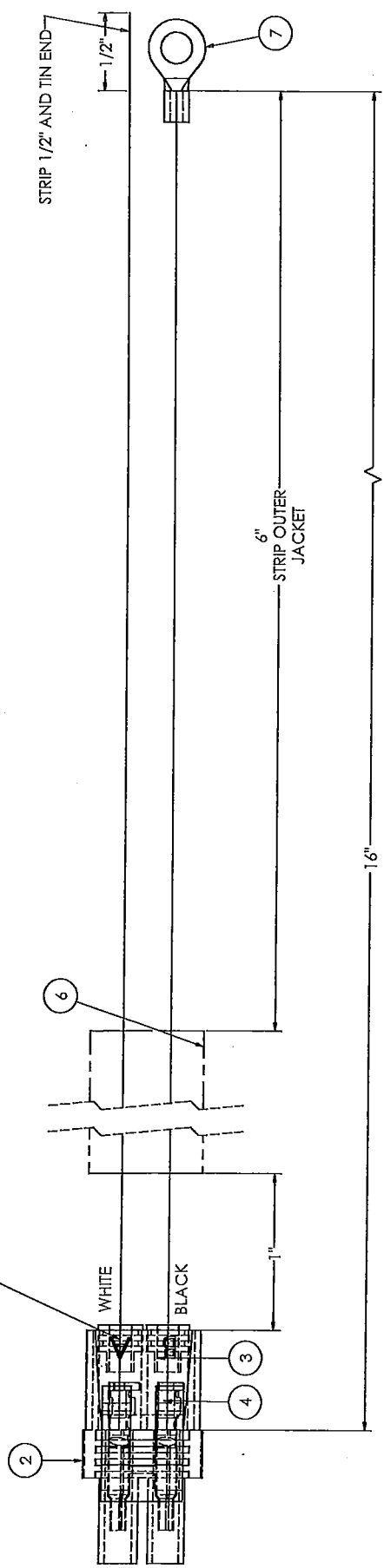
LOCK FORMER: BRAKE: SMALL: LARGE:		PROG # TIP SPEED KERF	UNLESS OTHERWISE SPECIFIED: DIMENSIONS ARE IN INCHES TOLERANCES: FRACTIONAL: ± 1/16 ANGULAR: MACH ± 1/2° BEND ± 1° TWG PLACE DECIMAL ± 0.005 THREE PLACE DECIMAL ± 0.005	NAME DRAWN / Zoch CHECKED: CREATED: DATE: 8/31/2010 1/1/2006	DATE 8/31/2010 1/1/2006
PROPRIETARY AND CONFIDENTIAL THE INFORMATION CONTAINED IN THIS DRAWING IS THE PROPERTY OF STEPP MFG. CO. INC. NO PART OF IT IS TO BE REPRODUCED OR TRANSMITTED IN ANY FORM OR BY ANY MEANS WITHOUT THE WRITTEN PERMISSION OF STEPP MFG. CO. INC.		WEIDEMANN PROG #		ROUTINGS	
QTY-		THICKNESS:		MATERIAL STOCK #	
WEIDEMANN PROG #		DO NOT SCALE DRAWING		REF#	
TITLE: LICENSE LIGHT HARNESS HARNESSES		MATERIAL TYPE:		PART NO.: A10008407	
SMC STEPP MFG. CO. INC. 12223 River Rd. North Branch, Md. 59056 Ph. 651-674-4491 Fax. 651-674-4221		REV B02		WEIGHT: 0.81 SHEET 1 OF 1	

WIRE COLOR
 WH - GROUND - 1
 BK - POWER - 4

USE NUMBERS ON ALL WIRES

NOTE:
 1) STRIP WIRE ENDS
 2) TIN ENDS BEFORE CRIMPING
 3) SOLDER ALL CONNECTORS AFTER CRIMPING

COVER WITH 2" LONG SHRINK WRAP



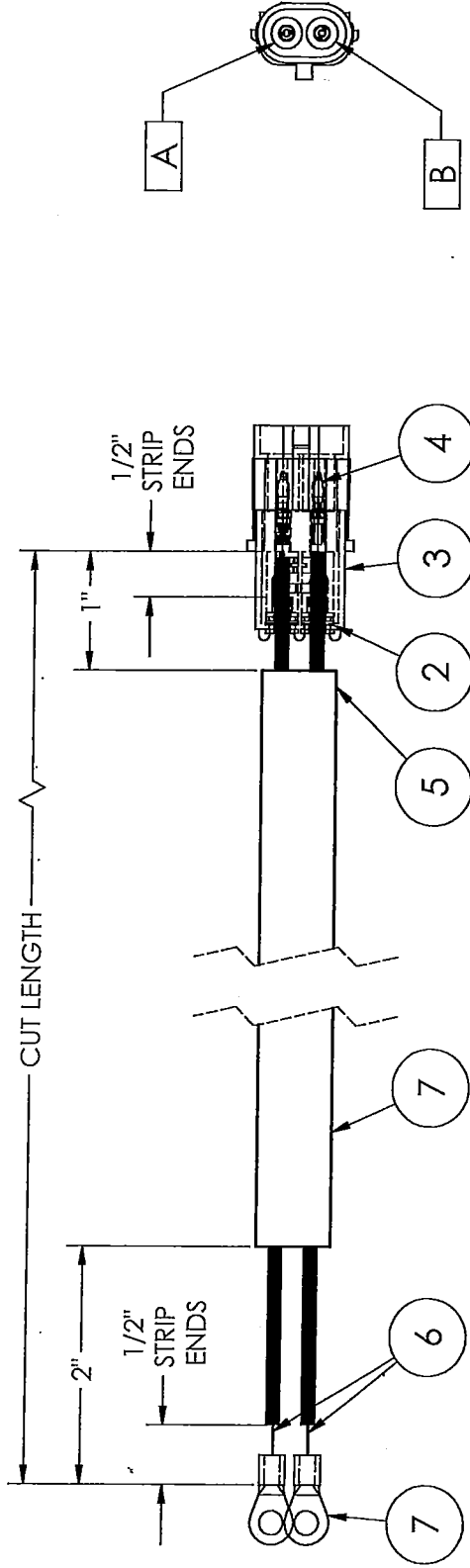
ITEM NO.	QTY.	PartNo	Description-1	Description-2
7	1	P10007273	RING TERMINAL	10-STUD, 16-14 GA
6	1-3 FT	P10005168	WIRE - 10/2 GRAY CABLE	
5	1 FT	P10005164	ELECTRICAL TAPE	BLACK WEATHERPACK FEMALE PIN 12GA
4	2	P10001023	WEATHERPACK FEMALE PIN 12GA	WEATHER PACK
3	2	P10001022	CABLE SEAL WEATHER PACK	WEATHER PACK
2	1	P10001021	CONNECTOR 2 PIN TOWER	HALF PACKARD WEATHERPACK
1	.5 FT	P10001019	SHRINK TUBE 1/4	STOCK

REVISIONS		
REV.	DESCRIPTION	DATE
B02	CHANGED PER MARKUPS	5/28/2009
B07	ADDED SHRINK TUBE ELEC. TAPE	10/5/2010
B08	REVERSED PINS	6/24/2013

ALL DIMENSIONS UNLESS OTHERWISE SPECIFIED ARE IN INCHES AND DECIMALS THEREOF. DIMENSIONS IN PARENTHESES INDICATE DIMENSIONS OF MATERIALS AS SUPPLIED. DIMENSIONS OF MATERIALS AS SUPPLIED ARE NOT TO BE USED FOR CONSTRUCTION OF THIS DRAWING. DIMENSIONS OF MATERIALS AS SUPPLIED ARE NOT TO BE USED FOR CONSTRUCTION OF THIS DRAWING.	STEPP MFG. CO. INC. 2424 STATE ST. SUITE 100 WILMINGTON, DE 19804 TEL: 302-439-1000 FAX: 302-439-1001 WWW.STEPPMFG.COM
PART NO. A10005178 REV. B08 SCALE: 1:2 WEIGHT: 1700 REF: S264522 DD:DC3 SCALE DRAWING	WH - CB POWER 10GA

REV.	DESCRIPTION	DATE	APPR
B01	RELEASED FOR PROTOTYPE	7/29/2010	
B02	ADDED -012 CONFIGURATION	9/28/2010	

ITEM NO.	Default/QTY.	PartNo	Description-1	Description-2
1	2"	P10001019	SHRINK TUBE 1/4	STOCK
2	2	P10001022	CABLE SEAL WEATHER PACK	WEATHER PACK
3	1	P10002761	2 CONTACT SHROULD	HALF PACKARD WEATHERPACK
4	2	P10002850	WEATHERPACK MALE PIN 12GA	WEATHERPACK MALE PIN 12GA
5	6"	P10005164	ELECTRICAL TAPE	BLACK
6	LENGTH"	P10005168	WIRE - 10/2 GRAY CABLE	
7	2	P10008333	RING TERMINAL	10-STUD, 12-14 GA



Design Table for: A10008409

PartNo	DESCRIPTION	QTY-
Default	Default	
-000	UNDOCUMENTED	
-012	12" LENGTH	
-024	24" LENGTH	

LOCK FORMER:	PROG #	TIP	SPEED	KERF	UNLESS OTHERWISE SPECIFIED:	NAME	DATE
BRAKE:	PROG #	DIE #			DIMENSIONS ARE IN INCHES	TECH	9/28/2010
SMALL:					TOLERANCES:	CHECKED:	1/7/2006
LARGE:					FRACTIONALS: 1/16	CHECKED:	
					ANGULAR: MACH ± 1/2°	COBARTER:	
					TWO PLACE DECIMAL ± 0.01	TOLERANCE PREFERENCE:	
					THREE PLACE DECIMAL ± 0.005	MATERIAL TYPE:	

FOR PART AND CONTINENTAL	PROG #	THICKNESS:
DRAWING IS THE SOLE PROPERTY OF	ROUTINGS	
SMC STEPP MFG CO. ANY REPRODUCTION	1700	
WITHOUT PERMISSION OF STEPP MFG CO.	WEIDMANN	
IS PROHIBITED.	PROG #	

SMC	STEPP MFG. CO. INC.
	12325 River Rd. North Branch, Mn. 55056
	Ph. 651-674-4491 Fax 651-674-4221
TITLE:	PHD POWER HARNESS
	DOCUMENT LENGTH
PART NO.	A10008409-000
REV	B02
SCALE: 1:1	WEIGHT: 0.02
	SHEET 1 OF 1

Design Table for: A10005176

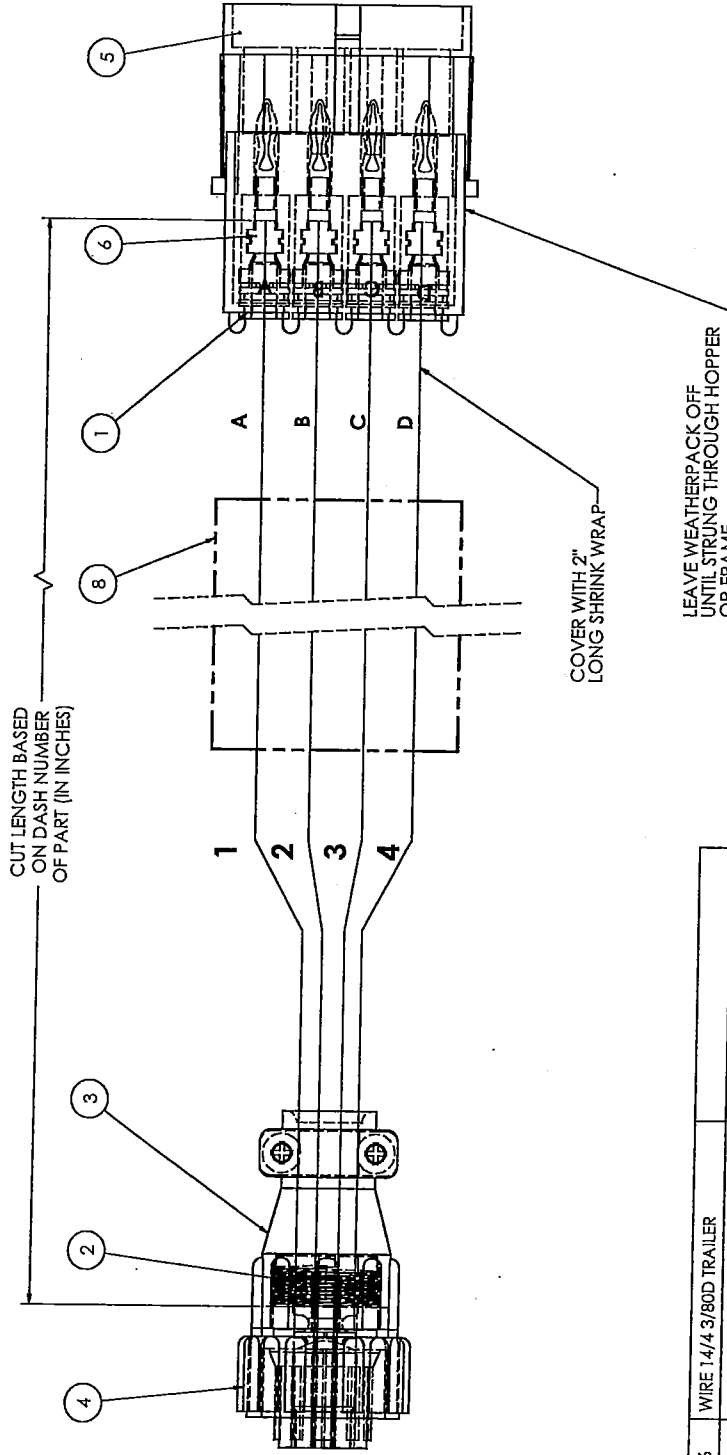
Default	Description	Part No.
-000	UNDOCUMENTED LENGTH	30.5
-135	135" LENGTH	135
-091	91" LENGTH	91

WIRE COLOR
 WH - 1 AND A
 RD - 2 AND B
 GN - 3 AND C
 BK - 4 AND D

USE NUMBERS ON ALL WIRES

NOTE:
 1) STRIP WIRE ENDS
 2) TIN ENDS BEFORE CRIMPING
 3) SOLDER ALL CONNECTORS AFTER CRIMPING

REV.	DESCRIPTION	DATE	APPR.
B07	UPDATED PER MARKUPS	10/5/2010	
B08	ADDED DESIGN TABLE	1/6/2012	
B09	CHANGED WIRE COLORS	10/30/2012	



COVER WITH 2" LONG SHRINK WRAP

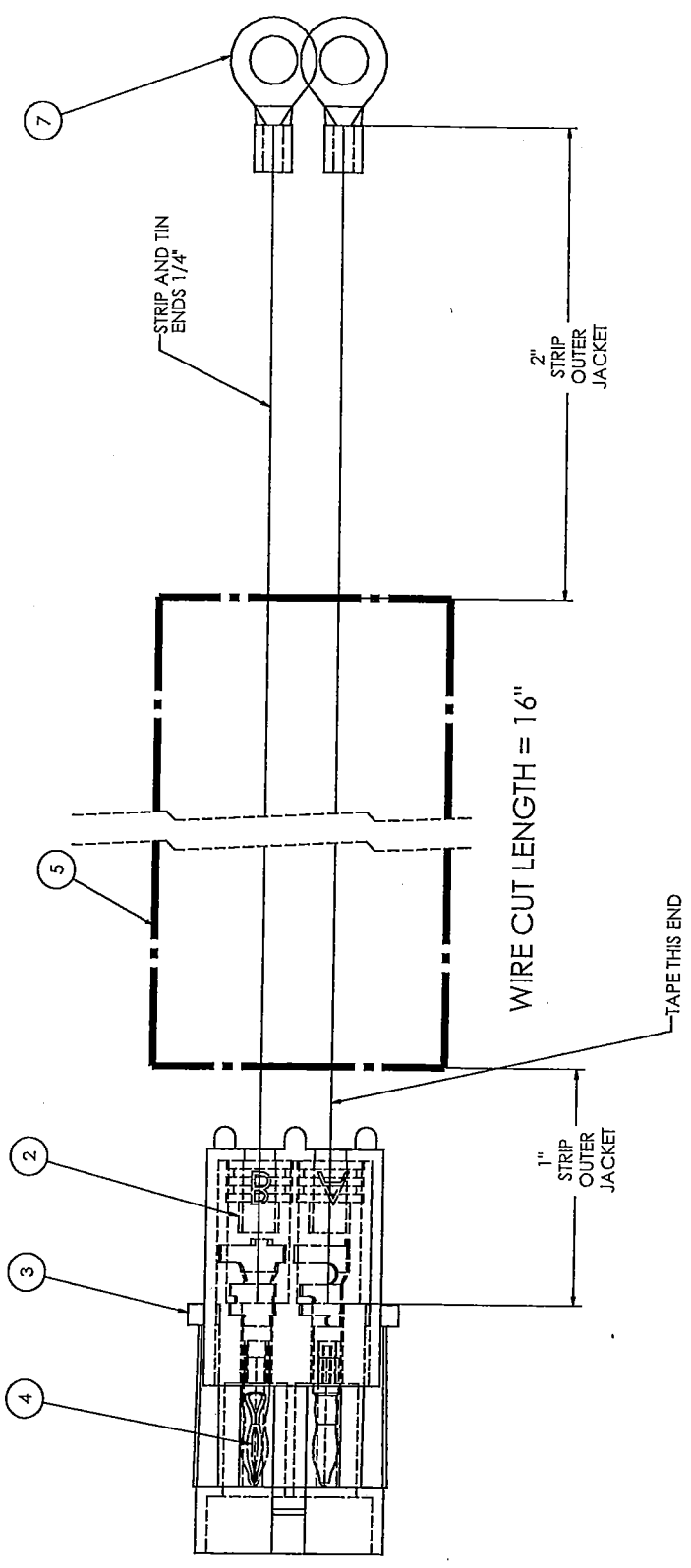
LEAVE WEATHERPACK OFF UNTIL STRUNG THROUGH HOPPER OR FRAME

ITEM NO.	Default QTY.	Part No	Description-1	Description-2
8	11.25 FT	P10005166	WIRE 14/4 3/80D TRAILER	
7	.3 FT	P10005155	SHRINK TUBE - 1/2"	
6	4	P10002850	WEATHERPACK MALE PIN 12GA	WEATHERPACK MALE PIN 12GA
5	1	P10002749	4 CONTACT SHROUD	HALF PACKARD WEATHERPACK
4	1	P10002681	CPC CON-4 PIN PLUG STD	USE FEMALE PINS
3	1	P10002604	CPC CLAMP STD FOR 7 PIN	SHELL SIZE 11
2	4	P10002566	CPC FEMALE PIN 16-14 GA	CPC FEMALE PIN 16-14 GA
1	4	P10001022	CABLE SEAL WEATHER PACK	WEATHER PACK

STIEPP MFG
 STEPPING CO. INC.
 524434
 1700
 SCALE 1:2
 Dwg No. A10005176
 REV B08
 SHEET 1 OF 1

REV.	DESCRIPTION	DATE	APPR.
B02	CHANGED PER MARKUPS	3/28/2009	
B03	Changed to lower from shroud	3/15/2010	
B07	ADDED EYELETS AND SHRINK TUBE	10/5/2010	

NOTE:
 1) STRIP WIRE ENDS
 2) TIN ENDS BEFORE CRIMPING
 3) SOLDER ALL CONNECTORS AFTER CRIMPING



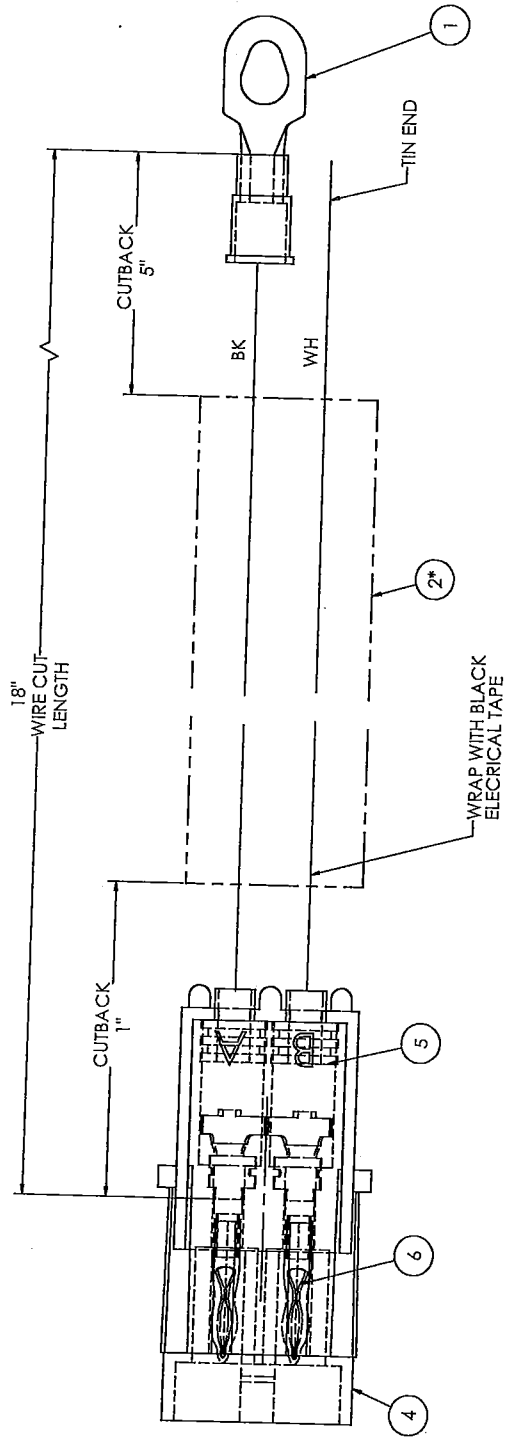
ITEM NO.	QTY.	PartNo	Description-1	Description-2
7	2	P10007273	RING TERMINAL	10-STUD, 1.6-1.4 GA
6	.5 FT	P10005164	ELECTRICAL TAPE	BLACK
5	1.4 FT	P10005150	WIRE - 14/2 CABLE GRAY	BLACK-WHITE
4	2	P10002850	WEATHERPACK MALE PIN 12GA	WEATHERPACK MALE PIN 12GA
3	1	P10002761	2 CONTACT SHROULD	HALF PACKARD WEATHERPACK
2	2	P10001022	CABLE SEAL WEATHER PACK	WEATHER PACK
1	1	P10001019	SHRINK TUBE 1/4	STOCK

MANUFACTURED BY STEPP MFG. CO. INC.
 17900 W. 134th St., Suite 100
 Edinburg, TX 78541
 PHONE: 361-291-2222 FAX: 361-291-2221
 WWW.STEPPMFG.COM

PART NO. A 1000S173
 REF. 526134-20W
 WEIGHT: 0.025
 SCALE: 1:2
 DO NOT SCALE DRAWING

SHEET 1 OF 1

REVISIONS			
REV	DESCRIPTION	DATE	APPR
B01	RELEASED FOR PROTOTYPE	3/3/2009	
B02	WASTOWER	12/2/2014	



NOTE:
 1) STRIP WIRE ENDS
 2) TIN END
 3) SOLDER ALL CONNECTORS AFTER CRIMPING

ITEM NO.	QTY.	PartNo	Description-1	Description-2
6	2	P10002850	WEATHERPACK MALE PIN 12GA	WEATHERPACK MALE PIN 12GA
5	2	P10001022	CABLE SEAL WEATHER PACK	WEATHER PACK
4	1	P10002761	2 CONTACT SHROUD	HALF PACKARD WEATHERPACK
3	1	P10005164	ELECTRICAL TAPE	BLACK
2	1	P10005150	WIRE - 14/2 CABLE GRAY	18" CUT LENGTH
1	1	P10002567	TERMINAL RING 14-16 GA	STUD SIZE # 6-8-10

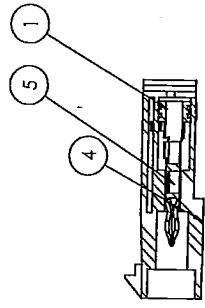
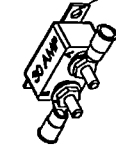
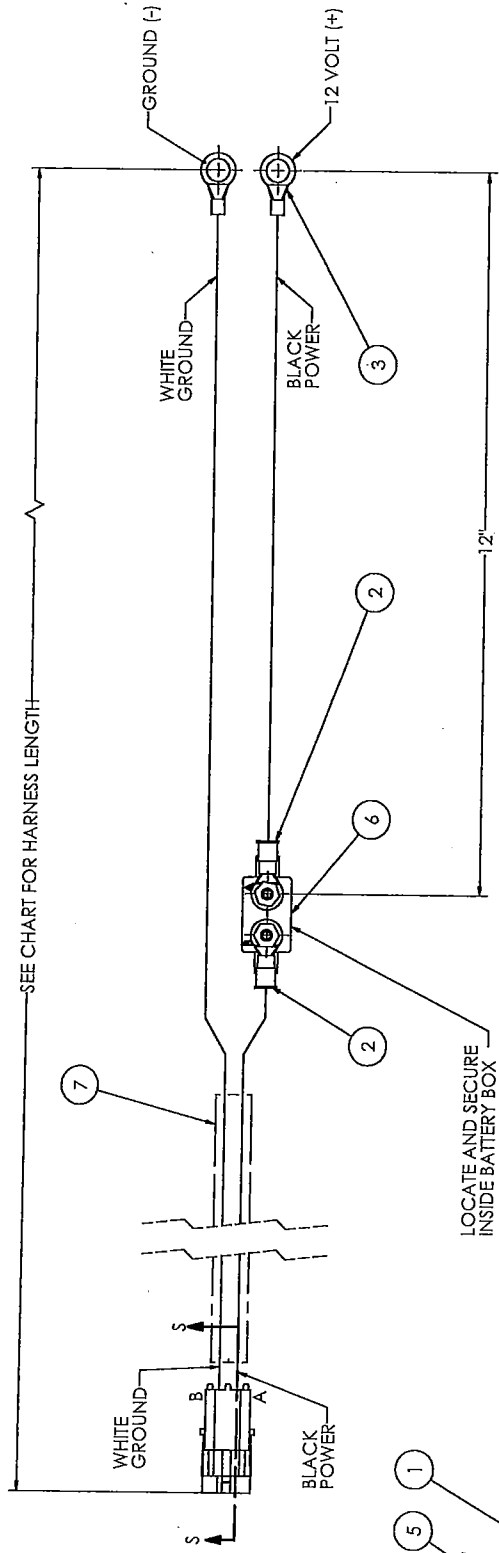
STEPP MFG
 STEPP MFG CO., INC.
 22415 STEPP AVENUE
 FARMINGDALE, NY 11737-2122
 TEL: 516-224-1100 FAX: 516-224-1122
 WWW.STEPPMFG.COM

ALL INFORMATION CONTAINED
 HEREIN IS UNCLASSIFIED
 EXCEPT WHERE SHOWN
 OTHERWISE. DATE 08-11-2014 BY 60322/UC/STP/STP

ROUTINGS: ELECTRICAL
 FROM CONTROL BOX
 PART NO. A 10005490
 REV. B02+
 DO NOT SCALE DRAWING
 SHEET 1 OF 1

DASH NUMBER	HARNESS LENGTH	UNIT TYPE
-000	UNDETERMINED	UNSPECIFIED
-001	96"	SPHD
-002	200"	SPH

REV.	DESCRIPTION	DATE	APPR.
B03	ADDED HARNESS LENGTH	5/21/2014	
B04	CHANGED PLUG POLARITY	11/21/2014	
B05	SPHD WAS 80" LONG	11/21/2014	



SECTION S-S
SCALE 2:1

ITEM NO.	Default /QTY.	PartNo	Description-1	Description-2
7	1	P10014136	WIRE - 12/2 GRAY CABLE	
6	1	P10011669	BREAKER	30 AMP AUTO RESET
5	2	P10002850	WEATHERPACK MALE PIN 12GA	WEATHERPACK MALE PIN 12GA
4	1	P10002761	2 CONTACT SHROUD	HALF PACKARD WEATHERPACK
3	2	P10002673	10 GA 3/8 RING UNINSULATED	
2	2	P10002672	10 GA RING TERMINAL 1/4	
1	2	P10001022	CABLE SEAL WEATHER PACK	WEATHER PACK

INFORMATION AND CONFIDENTIALITY STATEMENTS: THIS DRAWING IS UNCLASSIFIED EXCEPT WHERE SHOWN OTHERWISE. IT IS THE PROPERTY OF STEPPING CO. INC. AND IS LOANED TO YOU BY STEPPING CO. INC. IT IS NOT TO BE REPRODUCED OR TRANSMITTED IN ANY FORM OR BY ANY MEANS, ELECTRONIC OR MECHANICAL, INCLUDING PHOTOCOPYING, RECORDING, OR BY ANY INFORMATION STORAGE AND RETRIEVAL SYSTEM.

STEPPING
 STEPPING CO. INC.
 1000 STEPPING DRIVE
 WILSONVILLE, OR 97148
 TEL: 503.261.1111 FAX: 503.261.1112

DATE	REV.	DESCRIPTION
11/21/2014	B05	SPHD WAS 80" LONG
11/21/2014	B04	CHANGED PLUG POLARITY
5/21/2014	B03	ADDED HARNESS LENGTH

ROUTINGS: ELECTRICAL
 WEIGHT: 0.23
 SCALE: 1:1
 DO NOT SCALE DRAWING
 SHEET 021