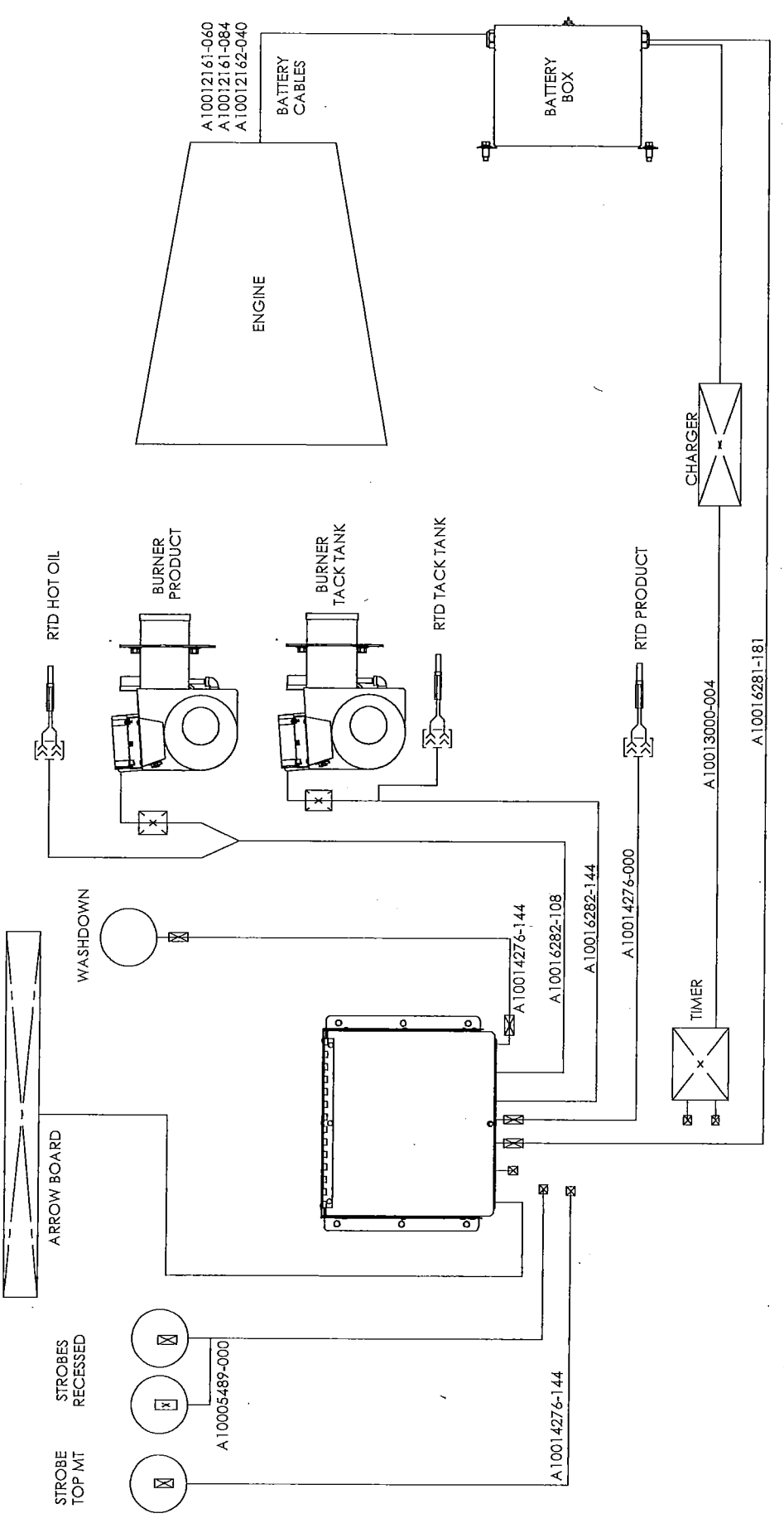


**ELECTRICAL
WIRING
BOOK**

SPH-OJ

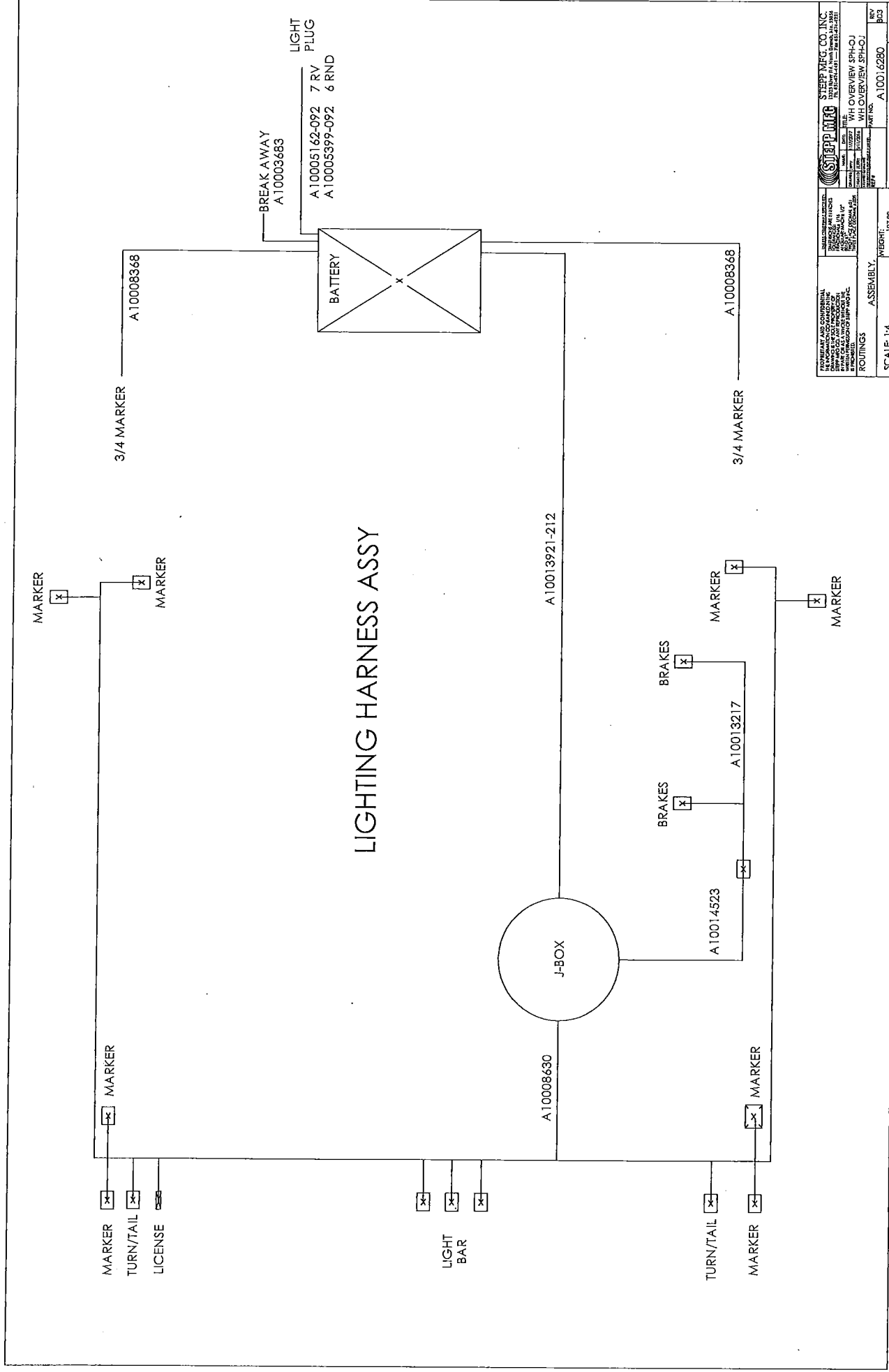
REVISIONS		
REV.	DESCRIPTION	DATE
B01	RELEASED FOR PROTOTYPE	5/11/2016
B02	ADDED A10016281-181	6/24/2016
B03	ECR17174 A10016283 REPLACES A10010596-000	6/20/2017



ALL INFORMATION CONTAINED
 HEREIN IS UNCLASSIFIED
 DATE 05/20/2016 BY 60322/UC/STP/STP
 AUTHORITY: 25XCFR1.9101
 ROUTINGS: A10016281-181
 SCALE: 1:4
 WEIGHT: 10.99
 DO NOT SCALE DRAWING

STEPPED STEPP MFG CO. INC. 1000 STEPP DRIVE WILSON, N.C. 27157 TEL: 704/363-8844 FAX: 704/363-8845 WWW.STEPPMFG.COM	DATE: 11/20/15 DRAWN BY: WH/LOVERVIEW SPH/OJ CHECKED BY: WH/LOVERVIEW SPH/OJ PART NO.: A10016280	REV: B03 REV: B02 REV: B01
---	---	----------------------------------

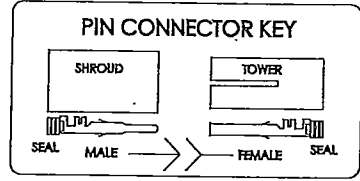
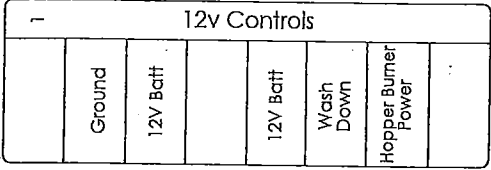
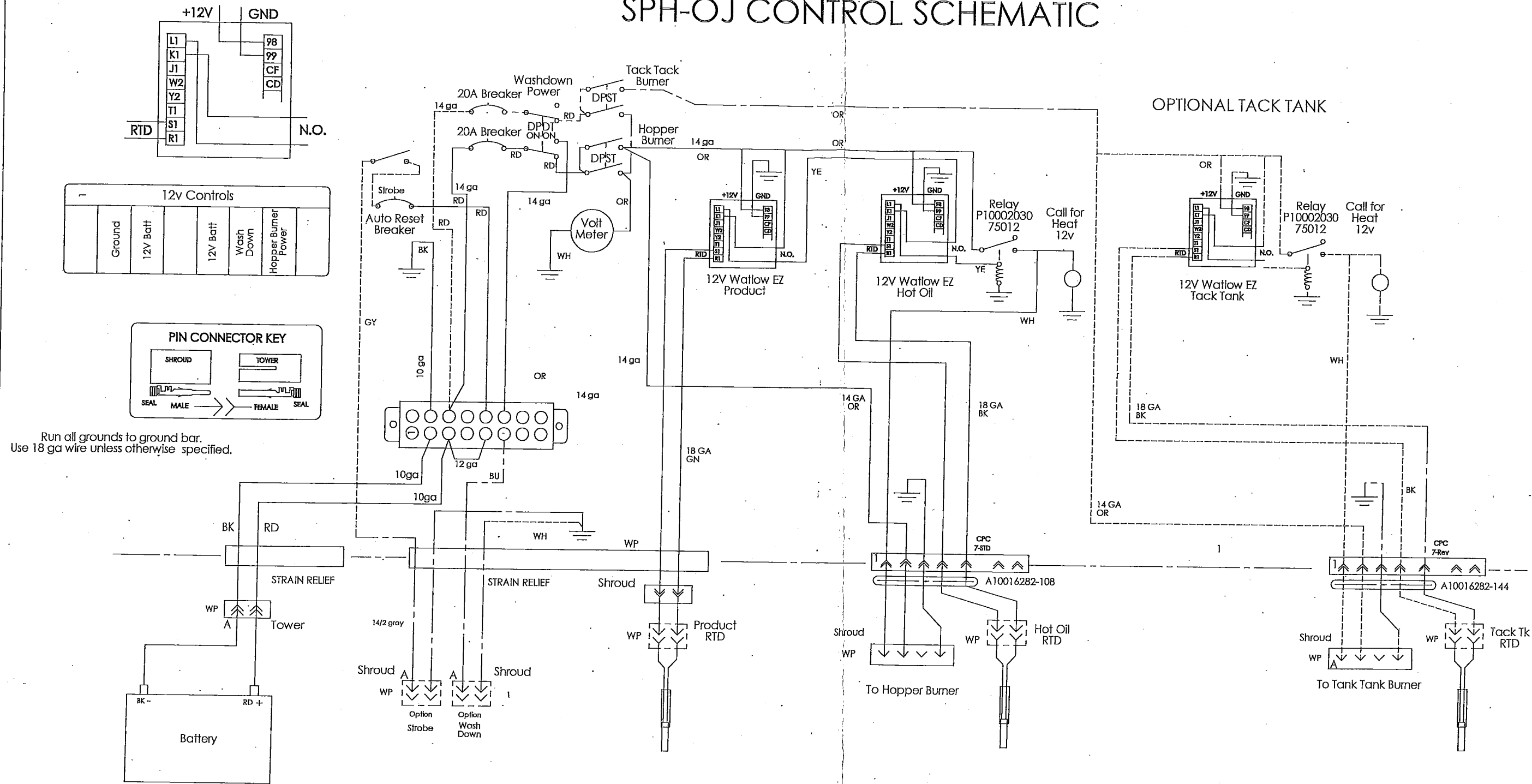
ASSEMBLY
 A10016280
 A10016281-181



FROM BUYER AND CONSUMER: THIS DRAWING IS THE PROPERTY OF STEPP MFG. CO. INC. IT IS TO BE USED ONLY FOR THE PURPOSES SPECIFIED THEREON. IT IS NOT TO BE REPRODUCED, COPIED, OR TRANSMITTED IN ANY FORM OR BY ANY MEANS, ELECTRONIC OR MECHANICAL, INCLUDING PHOTOCOPYING, RECORDING, OR BY ANY INFORMATION STORAGE AND RETRIEVAL SYSTEM.		STEPP MFG. CO. INC. 1000 STEPP DRIVE WILSON, N.C. 27157	
TITLE: WH OVERVIEW SPH-OJ DATE: 11/22/2011 DRAWN BY: J. W. WILSON CHECKED BY: J. W. WILSON APPROVED BY: J. W. WILSON	PART NO.: A10016280 REV: B03	DO NOT SCALE DRAWING SHEET 2 OF 2	
ROUTINGS ASSEMBLY SCALE: 1:4 WEIGHT: 107.99		REV: B03 DATE: 11/22/2011	

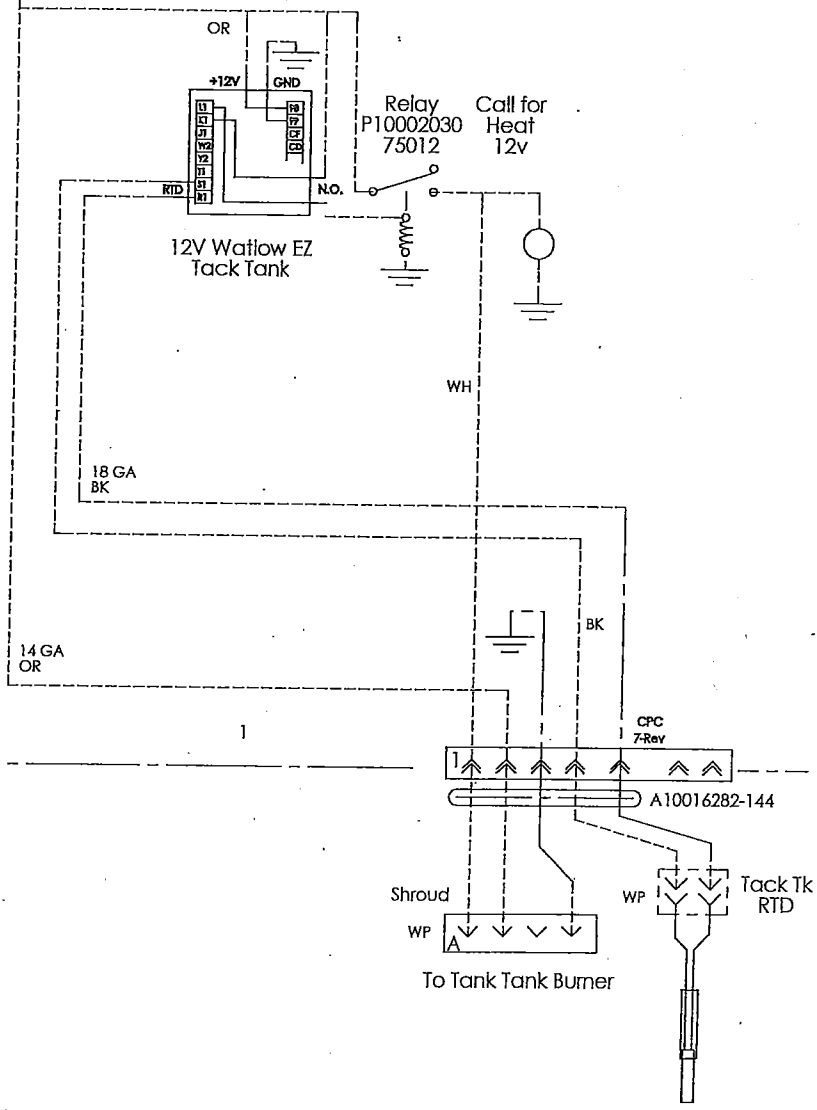
REVISIONS			
REV.	DESCRIPTION	DATE	APPROVED
B01	RELEASED FOR PROTOTYPE	6/2/2016	

SPH-OJ CONTROL SCHEMATIC



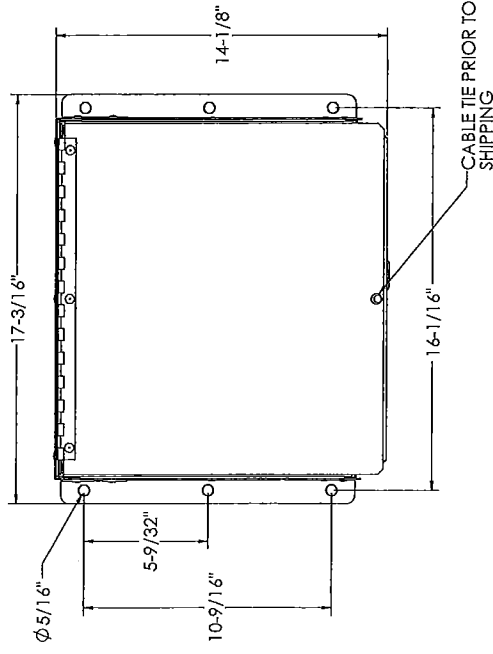
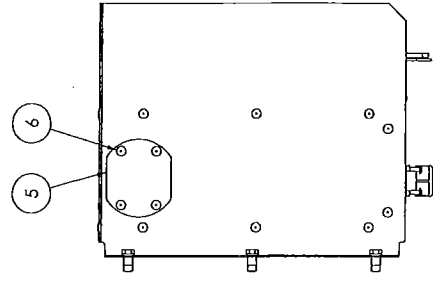
Run all grounds to ground bar.
Use 18 ga wire unless otherwise specified.

OPTIONAL TACK TANK

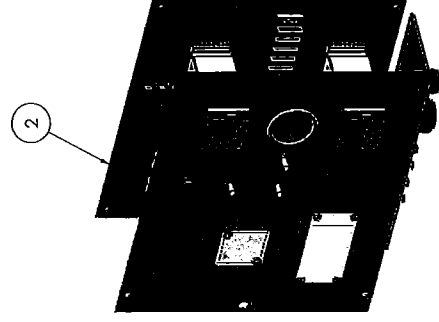
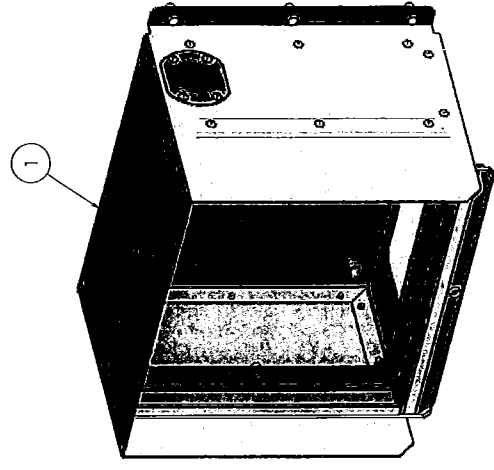
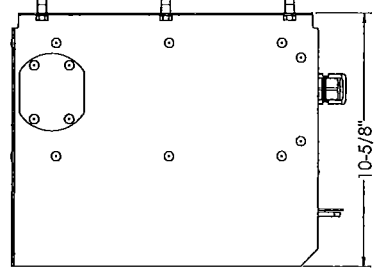
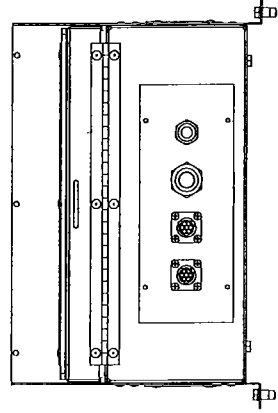


PROPRIETARY AND CONFIDENTIAL THE INFORMATION CONTAINED IN THIS DRAWING IS THE SOLE PROPERTY OF STEPP MFG CO. ANY REPRODUCTION IN PART OR AS A WHOLE WITHOUT THE WRITTEN PERMISSION OF STEPP MFG INC. IS PROHIBITED.		UNLESS OTHERWISE SPECIFIED: DIMENSIONS ARE IN INCHES TOLERANCES: FRACTIONAL: 1/16 ANGULAR: 30 MIN TWO PLACE DECIMAL: ±0.010 THREE PLACE DECIMAL: ±0.005		NAME: Owner DATE: 6/2/2016 CHECKED: CREAMER: 140707/000000 UNRELEASED RELEASE #1010102	STEPP MFG. CO. INC. 12325 River Rd. North Branch, Min. 55056 Ph. 651-674-4491 Fax: 651-674-4221 TITLE: SPH OJ CONTROL SCHEMATIC SPH-OJ PART NO. S10016305 REV B01+
ROUTINGS ELECTRICAL		WEIGHT: 0.000000		DO NOT SCALE DRAWING	
SCALE: 2:3		SHEET 1 OF 1			

REV.	DESCRIPTION	DATE	APPR.
B01	RELEASED FOR PROTOTYPE	6/2/2016	



CABLE TIE PRIOR TO SHIPPING



ITEM NO.	QTY.	PartNo	Description-1	Description-2
6	8	P10003134-002	POP RIVET CLOSED END	3/16 DIA x 1/8-1/4 GR
5	2	M10001050	9-PIN COVER PLATE	BLANK
4	1	A10005178	WH - CB POWER 10GA	
3	1	A10005173	WH RTD PIGTAIL CONTROL BOX	
2	1	A10004515-101	CONTROL PANEL SPH OJ NO TT,AB	PANEL LAYOUT
1	1	A10002530	CONTROL ENCL ASSY	PLEXIGLASS W-O LATCH

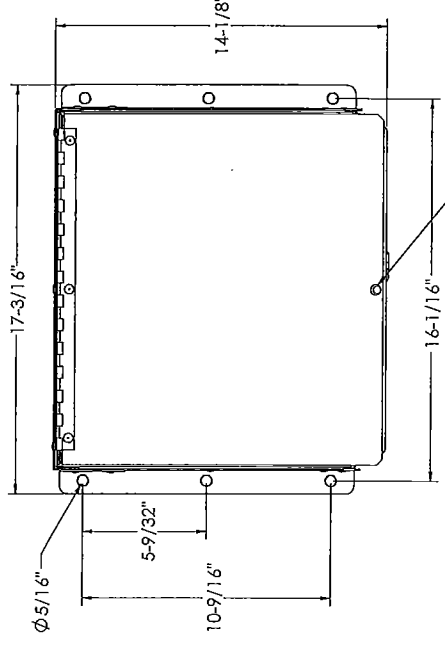
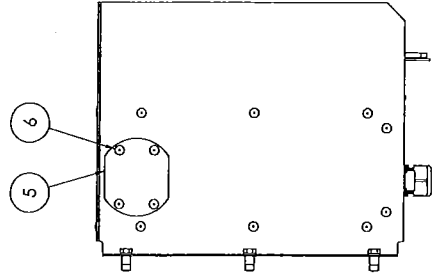
FEDERAL AND CONFIDENTIAL INFORMATION
 THIS DRAWING IS THE PROPERTY OF STEPP INC.
 IT IS TO BE KEPT SECRET AND NOT TO BE REPRODUCED OR TRANSMITTED IN ANY FORM OR BY ANY MEANS, ELECTRONIC OR MECHANICAL, INCLUDING PHOTOCOPYING, RECORDING, OR BY ANY INFORMATION STORAGE AND RETRIEVAL SYSTEM.

STEPP INC.
 1000 STEPP DRIVE
 WILSONVILLE, OH 45396
 TEL: 513-263-1111 FAX: 513-263-1112

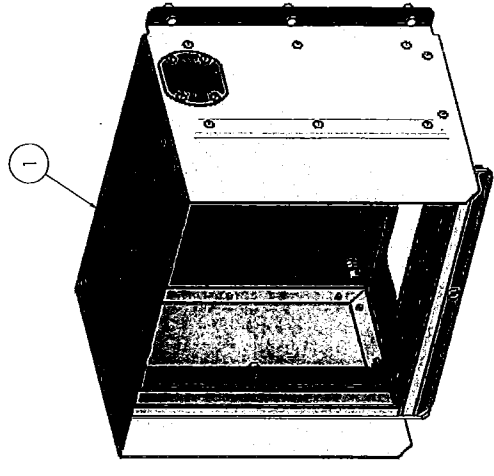
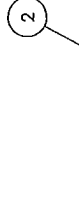
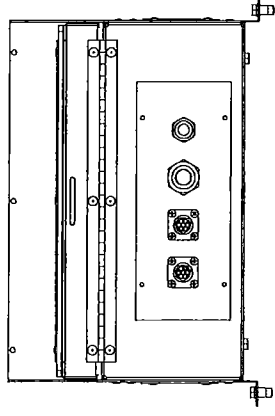
PART NO. A10016304-001
 CONTROL BOX ASSY SPH-OJ
 CONTROL BOX NO TT,AB

WEIGHT: 3.242
 SCALE: 1:2.5
 ASSY
 DO NOT SCALE DRAWING

REV.	DESCRIPTION	DATE	APPR
B01	RELEASED FOR PROTOTYPE	6/2/2016	



CABLE TIE PRIOR TO SHIPPING



6	8	P10003134-002	POP RIVET CLOSED END	3/16 DIA X 1/8-1/4 GR	
5	2	M10001050	9-PIN COVER PLATE	BLANK	
4	1	A10005178	WH - CB POWER 10GA		
3	1	A10005173	WH RTD DIGITAL CONTROL BOX		
2	1	A10004515-102	CONTROL PANEL SPH OJ WITH IT	PANEL LAYOUT	
1	1	A10002530	CONTROL ENCL ASSY	PLEXIGLASS W-O LATCH	
ITEM NO.	002/QTY.	PartNo	Description-1	Description-2	

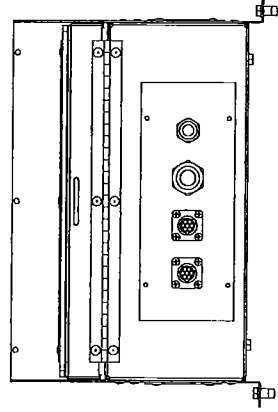
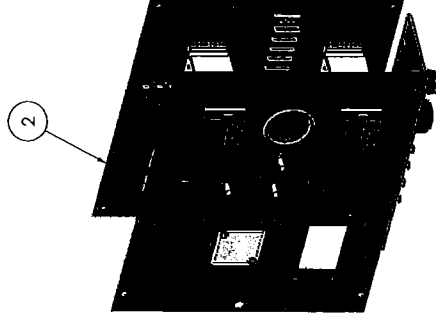
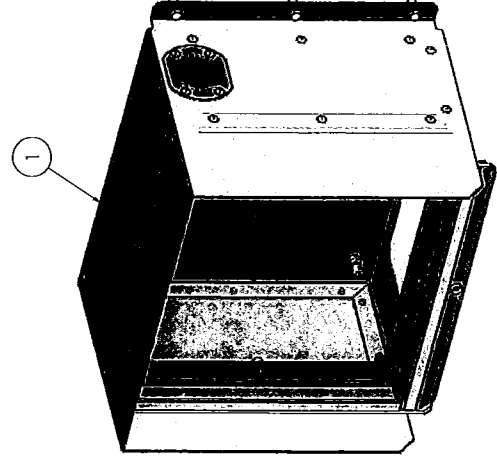
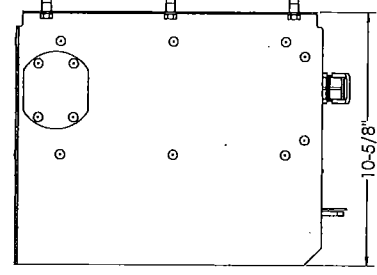
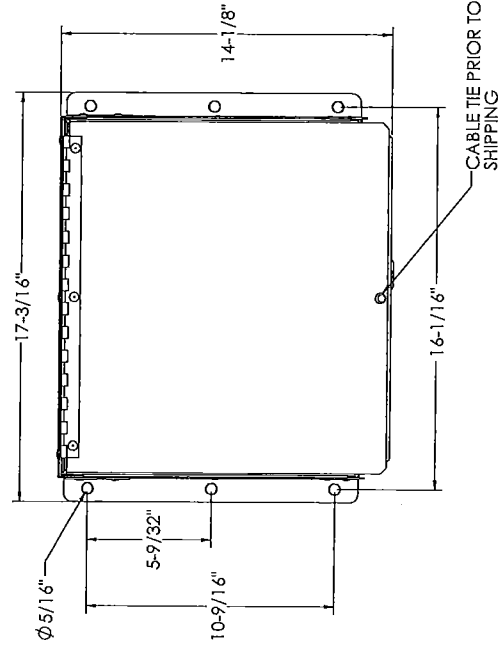
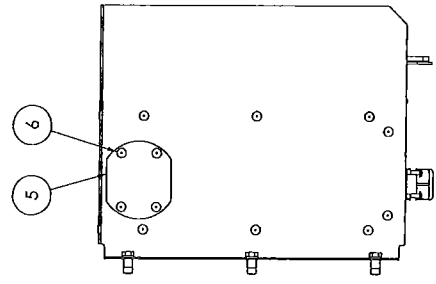
MATERIALS AND CONDITIONS OF CONSTRUCTION ARE SUBJECT TO CHANGE WITHOUT NOTICE. THE MANUFACTURER'S MARKINGS SHALL BE THE BASIS FOR IDENTIFICATION. THE DESIGNER SHALL BE RESPONSIBLE FOR THE CORRECT IDENTIFICATION OF PARTS AND COMPONENTS.

SUPPLY MFG. CO. INC.
 10001050 9-PIN COVER PLATE
 10005178 WH - CB POWER 10GA
 10005173 WH RTD DIGITAL CONTROL BOX
 10004515-102 CONTROL PANEL SPH OJ WITH IT
 10002530 CONTROL BOX ASSY SPH OJ

ROUTINGS: ASSY WEIGHT: 3.32
 SCALE: 1:2.5
 DO NOT SCALE DRAWING
 PART NO. A10016304-002
 REV. 001+
 SHEET 01

REV.	DESCRIPTION	DATE	APPR
B01	RELEASED FOR PROTOTYPE	6/27/2016	

REVISIONS			
REV.	DESCRIPTION	DATE	APPR
B01	RELEASED FOR PROTOTYPE	6/27/2016	

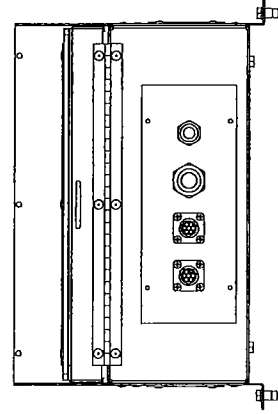
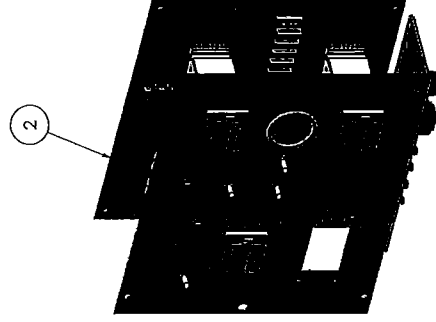
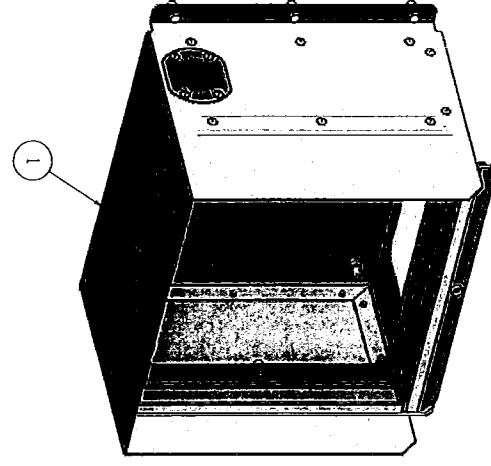
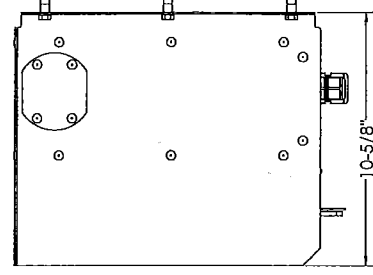
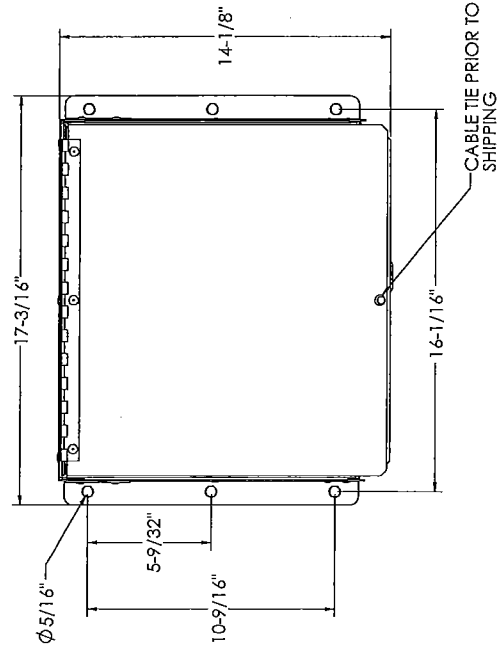
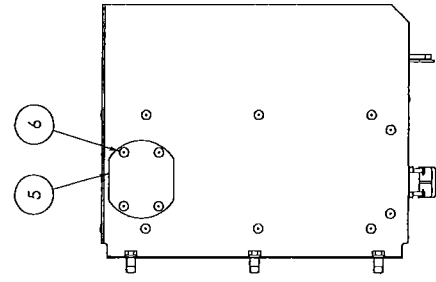


6	8	P10003134-002	POP RIVET CLOSED END	3/16 DIA x 1/8-1/4 GR	
5	2	M10001050	9-PIN COVER PLATE	BLANK	
4	1	A 10005178	WH - CB POWER 10GA		
3	1	A 10005173	WH RTD DIGITAL CONTROL BOX		
2	1	A 10004515-103	CONTROL PANEL SPH OJ WITH AB	PANEL LAYOUT	
1	1	A 10002590	CONTROL ENCL ASSY	PLEXIGLASS W-O LATCH	
ITEM NO.	-003/QTY.	PartNo	Description-1	Description-2	

STIEPP MFG			
DATE	REV	DESCRIPTION	APP
6/27/2016		CONTROL BOX W/AB	
		CONTROL BOX ASSY SPH-OJ	

ASSEMBLY	ASSEMBLY	WEIGHT	3.32
SCALE:	1:2.5		
		DO NOT SCALE DRAWING	

REVISIONS		
REV.	DESCRIPTION	DATE
B01	RELEASED FOR PROTOTYPE	6/2/2016
		APPR



ITEM NO.	-004/QTY.	PartNo	Description-1	Description-2
6	8	P10003134-002	POP RIVET CLOSED END	3/16 DIA x 1/8-1/4 GR
5	2	M10001050	9-PIN COVER PLATE	BLANK
4	1	A10005178	WH - CB POWER 10GA	
3	1	A10005173	WH RTD PIGTAIL CONTROL BOX	
2	1	A10004515-104	CONTROL PANEL SPH OJ WITH TT,AB	PANEL LAYOUT
1	1	A10002530	CONTROL ENCL ASSY	PLEXIGLASS W-O LATCH

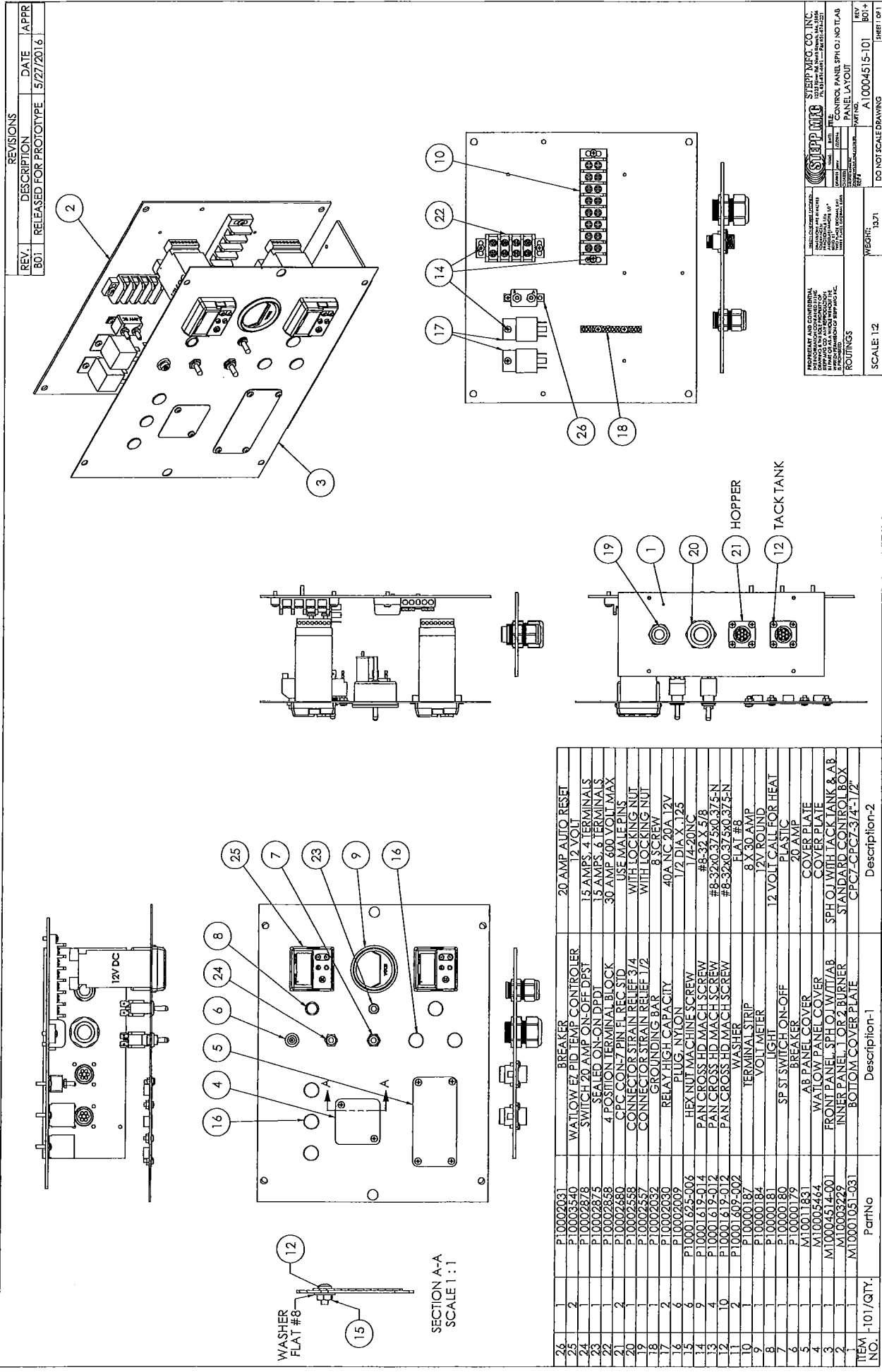
APPROVALS		DATE	
DESIGNED BY	DATE	DESIGNED BY	DATE
CHECKED BY	DATE	CHECKED BY	DATE
APPROVED BY	DATE	APPROVED BY	DATE

STEPP MFG CO INC
 1000 STEPP DRIVE
 WILSON, NJ 07097
 TEL: 908-686-1111
 FAX: 908-686-1112
 WWW.STEPPMFG.COM

REV	DESCRIPTION	DATE
1	CONTROL BOX W/TT,AB	
2	CONTROL BOX ASSY SPH-OJ	
3	CONTROL BOX ASSY SPH-OJ	

PART NO: A1001604-004
 REV: B01
 WEIGHT: 35.32
 SCALE: 1:2.5
 DO NOT SCALE DRAWING
 SHEET 01

REV.	DESCRIPTION	DATE	APPR
B01	RELEASED FOR PROTOTYPE	5/27/2016	



SECTION A-A
SCALE 1:1

SECTION B-B
SCALE 1:1

ITEM NO.	PartNo	Description-1	Description-2
26	P10002031	BREAKER	20 AMP AUTO RESET
25	P10003240	WATLOW EZ PID TEMP CONTROLLER	12 VOLT
24	P10002878	SWITCH 20 AMP ON-OFF DEST	15 AMPS, 4 TERMINALS
23	P10002875	SEALED ON-ON DPDT	15 AMPS, 6 TERMINALS
22	P10002858	4 POSITION TERMINAL BLOCK	30 AMP 600 VOLT MAX
21	P10002480	CFC CON-7 PIN FL REC STD	USE MALE PINS
20	P10002458	CONNECTOR STRAIN RELIEF 3/4	WITH LOCKING NUT
19	P10002457	CONNECTOR STRAIN RELIEF 1/2	WITH LOCKING NUT
18	P10002032	GROUNDING BAR	8 SCREW
17	P10002030	RELAY HIGH CAPACITY	40A NC 20A 12V
16	P1001625-006	PLUG NYLON	1/2 DIA X .125
15	P1001625-006	HEX NUT MACHINE SCREW	1/4-20UNC
14	P1001615-014	PAN CROSS HD MACH SCREW	#8-32 X 3/8
13	P1001615-014	PAN CROSS HD MACH SCREW	#8-32 X 3/8
12	P1001615-012	PAN CROSS HD MACH SCREW	#8-32 X 3/8
11	P1001615-002	PAN CROSS HD MACH SCREW	#8-32 X 3/8
10	P1001615-002	WASHER	FLAT #8
9	P1000187	TERMINAL STRIP	6 X 80 AMP
8	P1000187	VOLTMETER	12V ROUND
7	P1000180	SP ST SWITCH ON-OFF	12 VOLT CALL FOR HEAT
6	P1000179	BREAKER	20 AMP
5	M10011831	AB PANEL COVER	COVER PLATE
4	M10005444	WATLOW PANEL COVER	COVER PLATE
3	M10004514-001	FRONT PANEL SPH OLVW/T/AB	SPH OLVW/T/AB
2	M10003729	INNER PANEL 1 OR 2 BURNER	STANDARD CONTROL BOX
1	M10001051-031	BOTTOM COVER PLATE	GP-CZ-CZ-3/4-1/2"

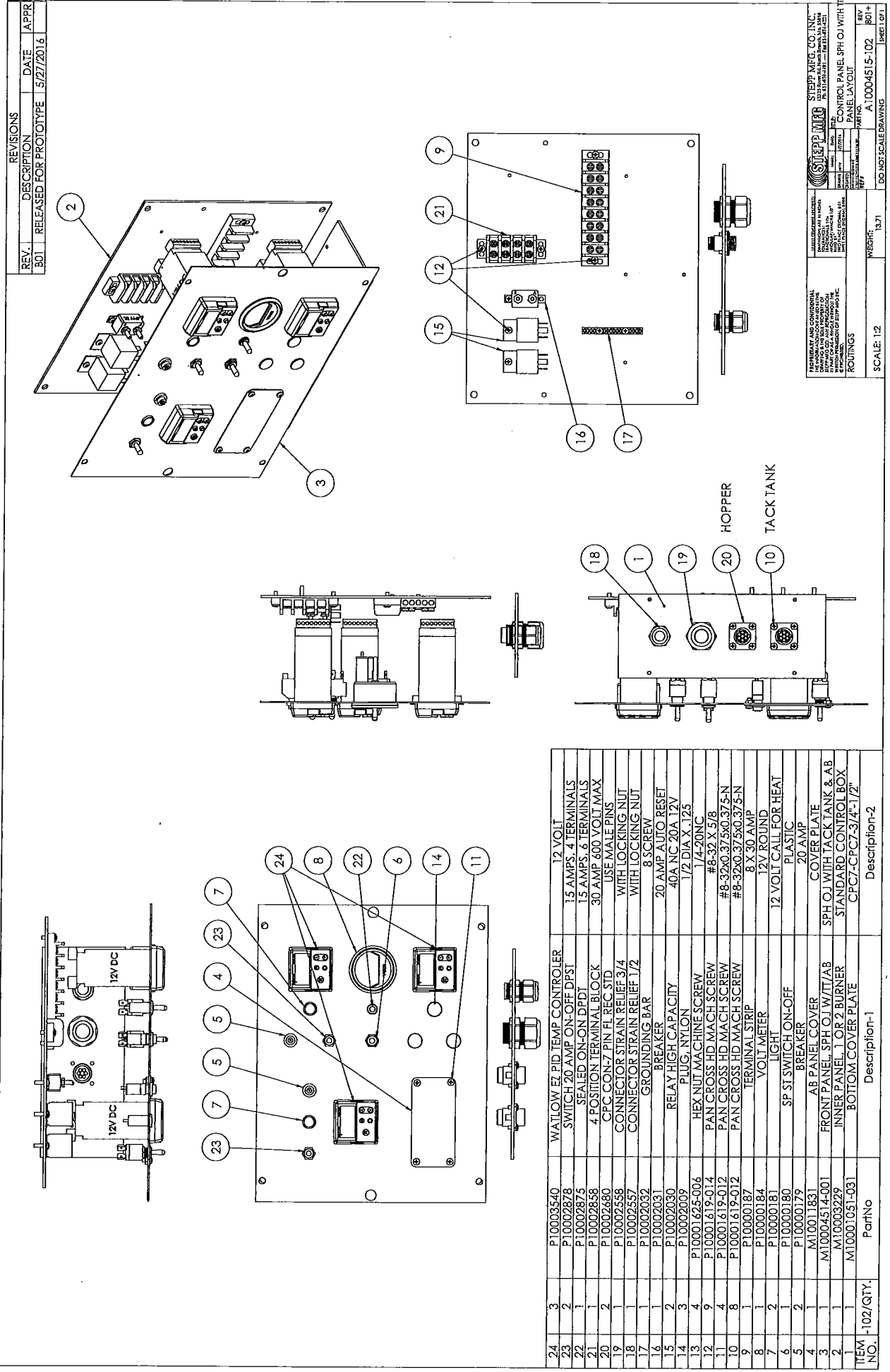
ITEM NO. / QTY.

REV.	DESCRIPTION	DATE	APPR
B01	RELEASED FOR PROTOTYPE	5/27/2016	

SCALE: 1:2
WEIGHT: 13.71
DO NOT SCALE DRAWING
HEET 01/1

STERRIS MEDICAL
STERILIZATION
CONTROL PANEL SPH OLVW/T/AB
PANEL LAYOUT
Part No. A10004515-101
REV. B01

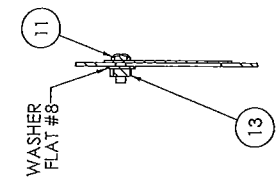
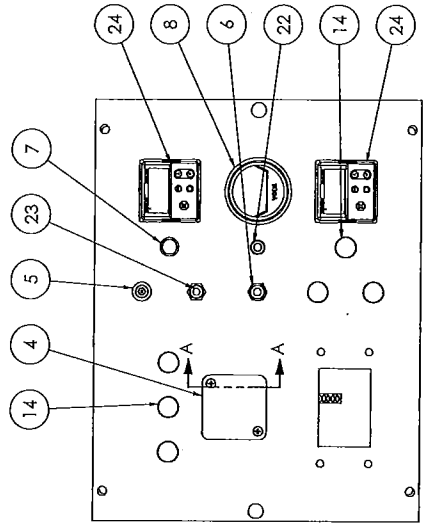
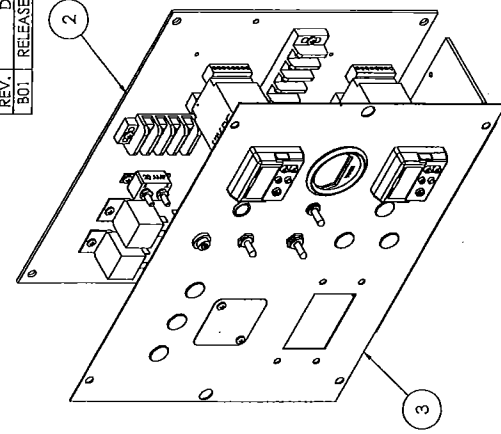
REV.	DESCRIPTION	DATE	APPR
B01	RELEASED FOR PROTOTYPE	5/27/2016	



ITEM NO.	QTY.	PartNo	Description-1	Description-2
24	1	P10003540	WATLOW E7 PID TEMP CONTROLLER	12 VOLT
23	2	P10002878	SWITCH 20 AMP ON-OFF DPST	15 AMPS, 4 TERMINALS
22	1	P10002875	SEALED ON-ON DPDT	15 AMPS, 6 TERMINALS
21	1	P10002856	4 POSITION TERMINAL BLOCK	30 AMP 600 VOLT MAX
20	2	P10002660	CPC CON-7 PIN FI REC STD	USE MALE PINS
19	1	P10002558	CONNECTOR STRAIN RELIEF 3/4	WITH LOCKING NUT
18	1	P10002557	CONNECTOR STRAIN RELIEF 1/2	WITH LOCKING NUT
17	1	P10002032	GROUNDING BAR	8 SCREW
16	1	P10002031	BREAKER	20 AMP AUTO RESET
15	2	P10002030	RELAY HIGH CAPACITY	40A NC 20A 12V
14	3	P10002009	PLUG, NYLON	1/2 DIA X 1.25
13	4	P10001625-006	HEX NUT MACHINE SCREW	1/4-20NC
12	9	P10001619-014	PAN CROSS HD MACH SCREW	#8-32 X 5/8
11	4	P10001619-012	PAN CROSS HD MACH SCREW	#8-32X0.375X0.375-N
10	8	P10001619-012	PAN CROSS HD MACH SCREW	#8-32X0.375X0.375-N
9	1	P10000187	TERMINAL STRIP	8 X 30 AMP
8	1	P10000184	VOLT METER	12V ROUND
7	2	P10000181	LIGHT	12 VOLT CALL FOR HEAT
6	1	P10000180	BREAKER	PLASTIC
5	2	P10000179	SP ST SWITCH ON-OFF	20 AMP
4	1	M10011831	AB PANEL COVER	COVER PLATE
3	1	M10004514-001	FRONT PANEL SPH OJ W/T/AB	SPH OJ WITH TACK TANK & AB
2	1	M10003229	INNER PANEL 1 OR 2 BURNER	STANDARD CONTROL BOX
1	1	M10001051-031	BOTTOM COVER PLATE	CPC7-CPC7-3/4-1/2"

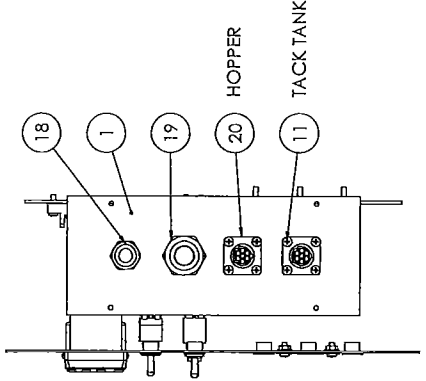
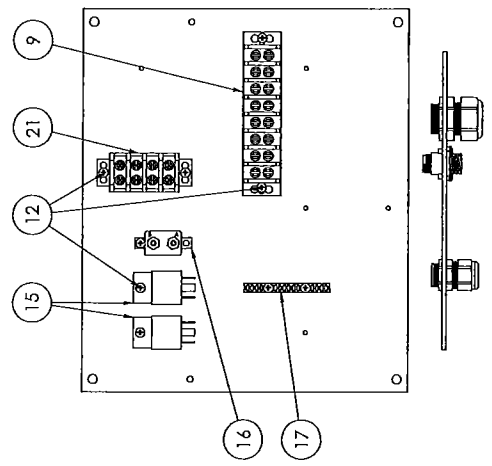
STEP MFG STEP MFG CO. INC.
 100004515-102 CONTROL PANEL SPH OJ WITH TACK TANK
 PANEL LAYOUT
 PART NO. A 10004515-102
 REV. B01+
 DO NOT SCALE DRAWING SHEET 1 OF 1

REVISIONS		
REV.	DESCRIPTION	DATE
B01	RELEASED FOR PROTOTYPE	5/27/2016
		APPR



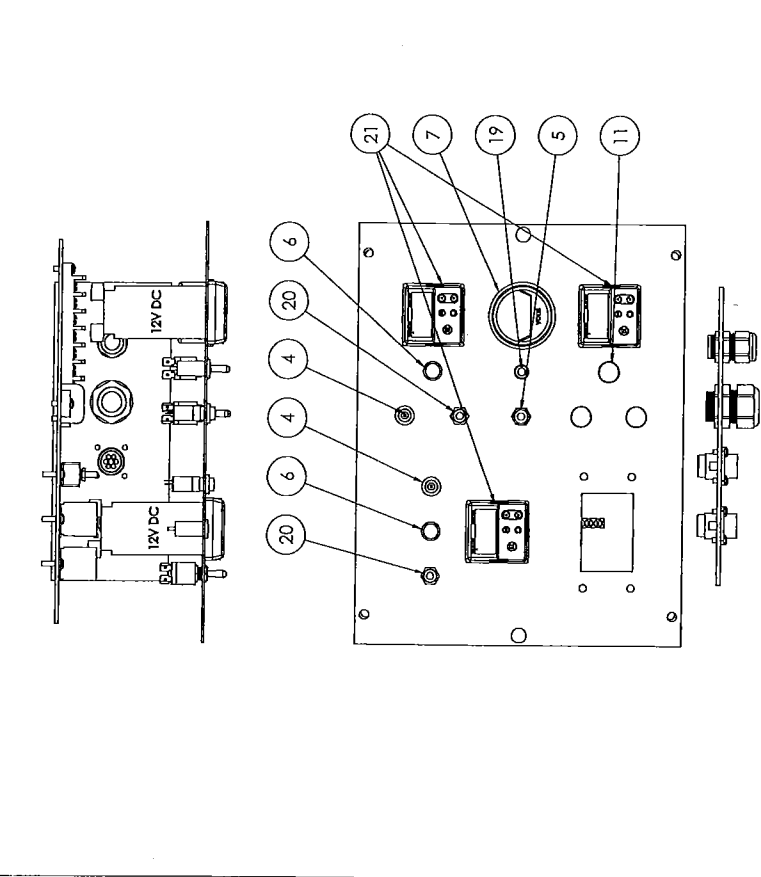
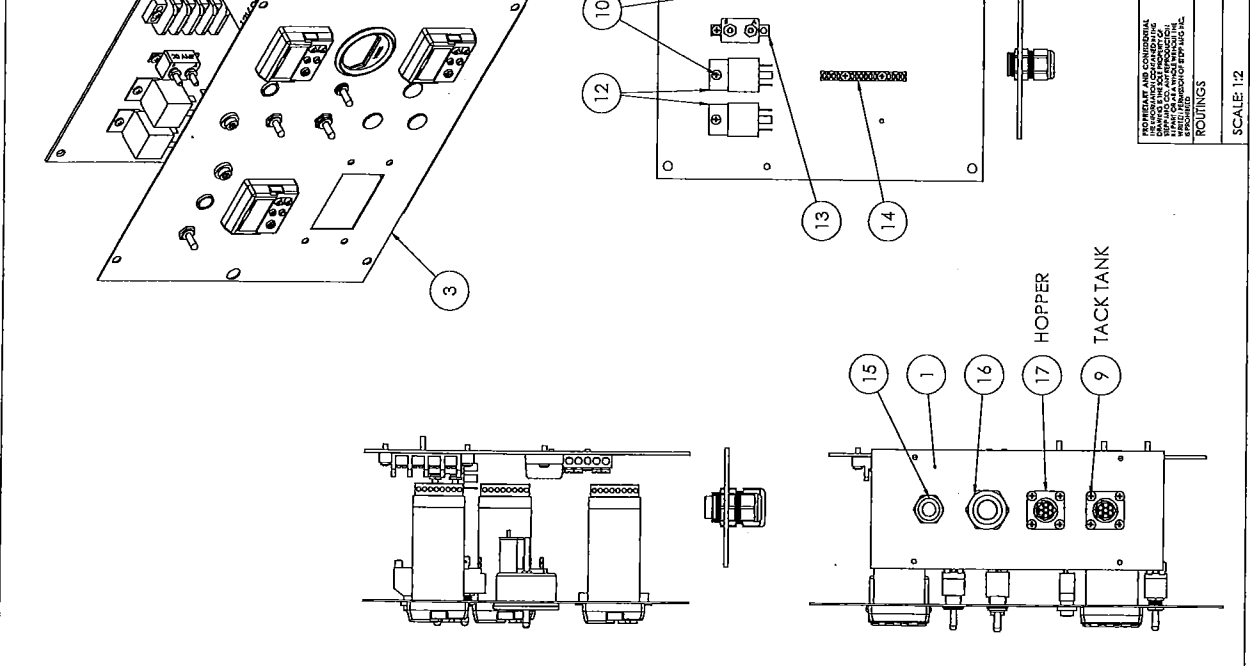
SECTION A-A
SCALE 1:1

ITEM NO.	PartNo	Description-1	Description-2
24	P10003540	WATLOW EZ PID TEMP CONTROLLER	12 VOLT
23	P10002878	SWITCH 20 AMP ON-OFF DPST	15 AMPS 4 TERMINALS
22	P10002875	SEALED ON-ON DPDT	15 AMPS 4 TERMINALS
21	P10002858	4 POSITION TERMINAL BLOCK	30 AMP 400 VOLT MAX
20	P10002480	CPC CON-Z PIN FL BEC STD	USE MALE PINS
19	P10002558	CONNECTOR STRAIN BELIEF 3/4	WITH LOCKING NUT
18	P10002557	CONNECTOR STRAIN BELIEF 1/2	WITH LOCKING NUT
17	P10002032	GROUNDING BAR	8 SCREW
16	P10002031	BREAKER	20 AMP AUTO RESET
15	P10002030	RELAY HIGH CAPACITY	40A NC 20A 12V
14	P10002029	PLUG NUT/ON	1/2 DIA X .125
13	P1001623-006	HEX NUT MACHINE SCREW	1/4-20NC
12	P10001619-014	PAN CROSS HD MACH SCREW	#8-32 X 5/8
11	P10001619-012	PAN CROSS HD MACH SCREW	#8-32 X 3/4
10	P10001609-0002	WASHER	FLAT #8
9	P10000187	TERMINAL STRIP	8 X 30 AMP
8	P10000184	VOLT METER	12V ROUND
7	P10000181	LIGHT	12 VOLT CALL FOR HEAT
6	P10000179	SE ST SWITCH ON-OFF	PLASTIC
5	M10005464	BREAKER	20 AMP
4	M10005464	WATLOW PANEL COVER	COVER PLATE
3	M10004514-001	FRONT PANEL SPH OJ W/TI/AB	SPH OJ WITH TACK TANK & AB
2	M10003929	INNER PANEL 1 OR 2 BURNER	STANDARD CONTROL BOX
1	M10001051-031	BOTTOM COVER PLATE	CPC7-CPC7-3/4-1/2"



<small>WARRANTY AND COVERING INFORMATION THIS DRAWING IS THE PROPERTY OF STEPP MFG CO. INC. IT IS TO BE USED ONLY FOR THE PROJECT AND QUANTITY SPECIFIED. IT IS NOT TO BE REPRODUCED OR TRANSMITTED IN ANY FORM OR BY ANY MEANS, ELECTRONIC OR MECHANICAL, INCLUDING PHOTOCOPYING, RECORDING, OR BY ANY INFORMATION STORAGE AND RETRIEVAL SYSTEM.</small>		STEPP MFG STEPP MFG CO. INC. 1000 W. STATE ST. WILMINGTON, NC 28403-1101 TEL: 704-762-1111 FAX: 704-762-1112 WWW.STEPPMFG.COM
<small>APPROVED FOR CONSTRUCTION DATE: 5/27/2016 BY: [Signature]</small>	<small>APPROVED FOR PROTOTYPE DATE: 5/27/2016 BY: [Signature]</small>	<small>APPROVED FOR PROTOTYPE DATE: 5/27/2016 BY: [Signature]</small>
<small>ROUTINGS</small>		<small>CONTROL PANEL SPH OJ WITH AB PANEL LAYOUT</small>
<small>SCALE: 1:2</small>	<small>WEIGHT: 13.71</small>	<small>REV: A10004515-103</small>
<small>3D IN3D SCALE DRAWING</small>		<small>SHEET 01</small>

REV.	DESCRIPTION	DATE	APPR
B01	RELEASED FOR PROTOTYPE	15/27/2016	

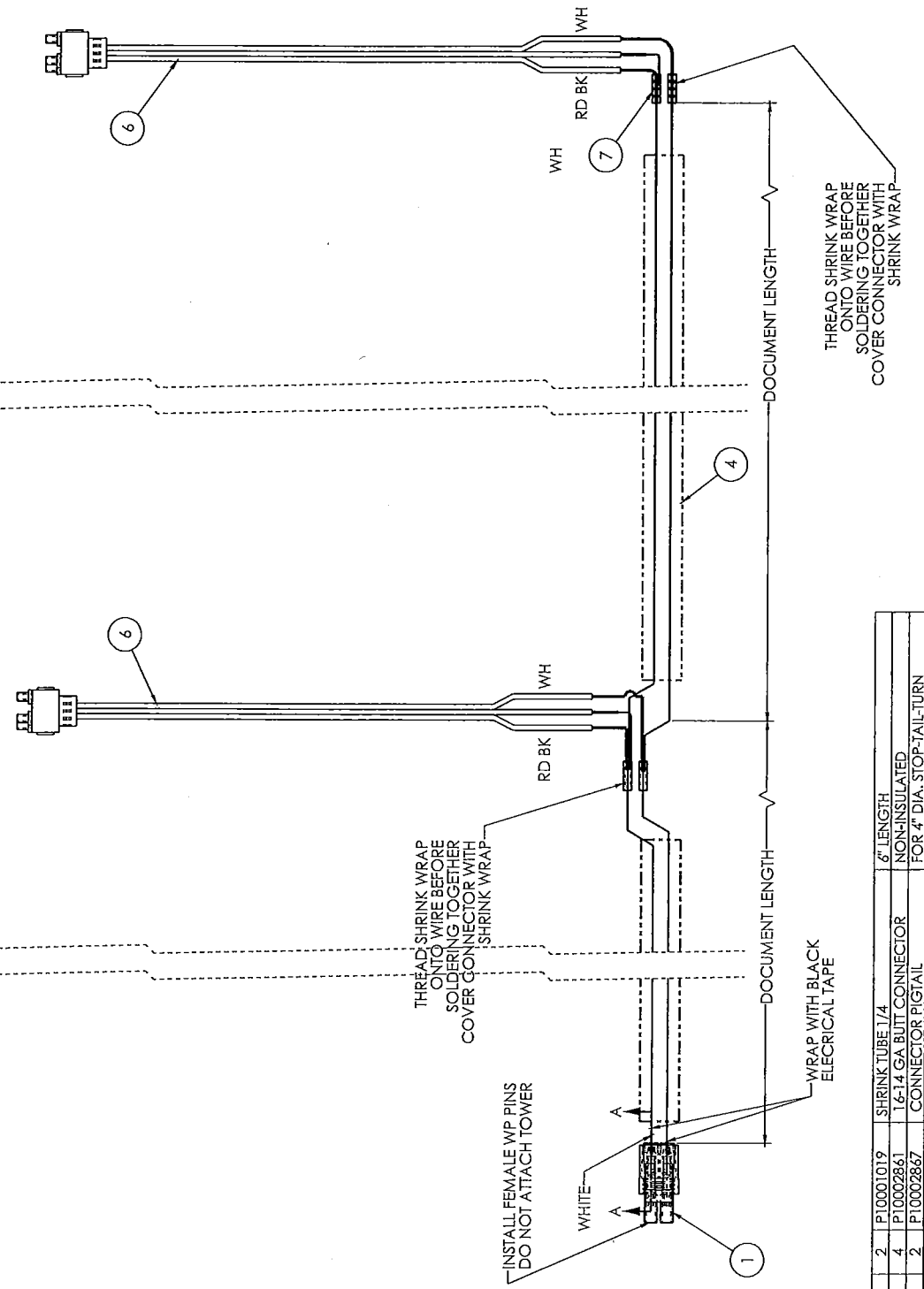


ITEM NO.	PartNo	Description-1	Description-2
21	P10003540	WATLOW EZ PID TEMP CONTROLLER	12 VOLT
20	P10002878	SWITCH 20 AMP ON-OFF DPST	15 AMPS, 4 TERMINALS
19	P10002875	SEALED ON-ON DPDT	15 AMPS, 6 TERMINALS
18	P10002858	4 POSITION TERMINAL BLOCK	30 AMP 600 VOLT MAX
17	P10002480	CPC CON 7 PIN FL REC STD	USE MALE PINS
16	P10002558	CONNECTOR STRAIN RELIEF 3/4	WITH LOCKING NUT
15	P10002357	CONNECTOR STRAIN RELIEF 1/2	WITH LOCKING NUT
14	P10002032	GROUNDING BAR	8 SCREW
13	P10002031	BREAKER	20 AMP AUTO RESET
12	P10002030	RELAY HIGH CAPACITY	40A NC 20A 12V
11	P10002009	PLUG, NYLON	1/2 DIA X .125
10	P10001619-014	PAN CROSS HD MACH SCREW	#8-32 X 5/8
9	P10001619-012	PAN CROSS HD MACH SCREW	#8-32 X 3/4
8	P10000187	TERMINAL STRIP	8 X 30 AMP
7	P10000184	VOLT METER	12V ROUND
6	P10000181	LIGHT	12 VOLT CALL FOR HEAT
5	P10000180	SP ST SWITCH ON-OFF	PLASTIC
4	P10000179	BREAKER	20 AMP
3	M10004514-001	FRONT PANEL SPH O.J.W/T/AB	SPH O.J WITH TACK TANK & AB
2	M10003229	INNER PANEL 1 OR 2 BURNER	STANDARD CONTROL BOX
1	M10001051-031	BOTTOM COVER PLATE	CPC7-CPC7-3/4"-1/2"

REV.	DESCRIPTION	DATE	APPR
B01	RELEASED FOR PROTOTYPE	15/27/2016	

DO NOT SCALE DRAWING
 PAPER: 13,71
 SCALE: 1:2
 REV: B01
 DATE: 15/27/2016
 APPR: [Signature]

REVISIONS		
REV.	DESCRIPTION	DATE
B01	RELEASED FOR PROTOTYPE	10/20/2015
		APPR

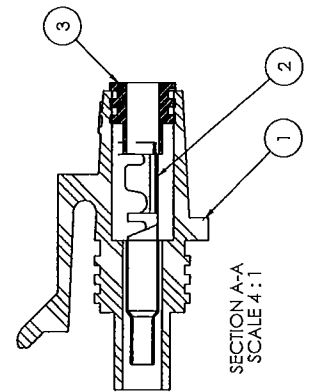


THREAD SHRINK WRAP
ONTO WIRE BEFORE
SOLDERING TOGETHER
COVER CONNECTOR WITH
SHRINK WRAP

INSTALL FEMALE WP PINS
DO NOT ATTACH TOWER

WRAP WITH BLACK
ELECTRICAL TAPE

THREAD SHRINK WRAP
ONTO WIRE BEFORE
SOLDERING TOGETHER
COVER CONNECTOR WITH
SHRINK WRAP



ITEM NO.	QTY	Part No	Description-1	Description-2
8	2	P10001019	SHRINK TUBE 1/4	6" LENGTH
7	4	P10002861	16-14 GA BUTT CONNECTOR	NON-INSULATED
6	2	P10002867	CONNECTOR PIGTAIL	FOR 4" DIA. STOP-TAIL-TURN
5	1	P10003164	ELECTRICAL TAPE	BLACK
4	11	P10003145	WIRE - 18/2 CABLE GRAY	
3	2	P10001022	CABLE SEAL WEATHER PACK	WEATHER PACK
2	2	P10001023	WEATHERPACK FEMALE PIN 12GA	WEATHERPACK FEMALE PIN 12GA
1	1	P10001021	CONNECTOR 2 PIN TOWER	HALF PACKARD WEATHERPACK

NOTE:
1) STRIP WIRE ENDS
2) TIN ENDS BEFORE CRIMPING
3) SOLDER ALL CONNECTORS AFTER CRIMPING

PROPRIETARY AND CONFIDENTIAL
DRAWINGS ARE THE PROPERTY OF
STEEPP WFCO, INC. AND ARE NOT TO BE
REPRODUCED OR TRANSMITTED IN ANY
FORM OR BY ANY MEANS, ELECTRONIC,
MECHANICAL, PHOTOCOPYING, RECORDING,
OR BY ANY INFORMATION STORAGE AND
RETRIEVAL SYSTEM, WITHOUT THE
WRITTEN PERMISSION OF STEEPP WFCO, INC.

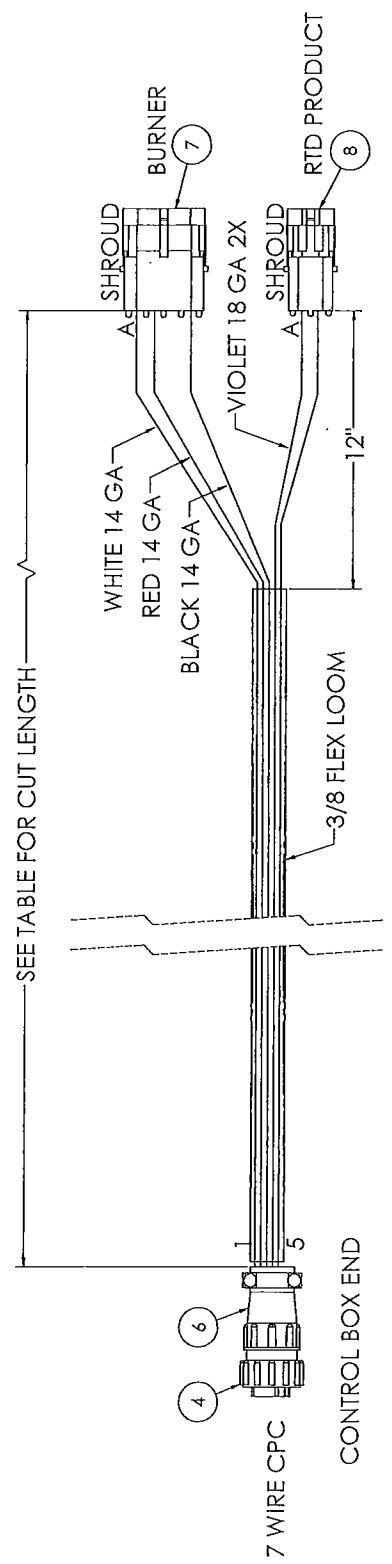
STEEPP WFCO, INC.
1000 S. GARDNER ST.
MARIETTA, GA 30067
770-428-9000

DATE: 10/20/2015
DRAWN BY: J. B. BROWN
CHECKED BY: J. B. BROWN
PART NO.: A10003489-000
REV: 101+

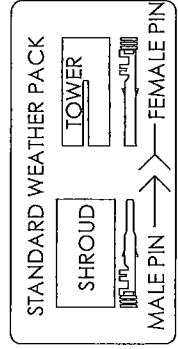
WEIGHT: 0.36
SCALE: 1:1
DO NOT SCALE DRAWING

STOCK NO.	WIRE CUT LENGTH
A10016282-000	DOCUMENT WIRE LENGTH
A10016282-108	1.08" LONG
A10016282-144	1.44" LONG

REV.	DESCRIPTION	DATE	APPR.
001	RELEASED FOR PROTOTYPE	5/9/2016	



ITEM NO.	QTY.	PartNo	Description-1	Description-2
18	1	P10014541	LOOM - FLEX 3/8	LOOM - FLEX 3/8
17	1	P10005224	WIRE - 10 GA - RED	WAYTEK WIRE
16	1	P10005225	WIRE - 14 GA - ORANGE	WAYTEK WIRE
15	1	P10005221	WIRE - 14 GA - WHITE	WAYTEK WIRE
14	1	P10005213	WIRE - 18 GAUGE - VIOLET	WAYTEK WIRE
13	1	P10005211	WIRE - 18 GAUGE - GREEN	WAYTEK WIRE
12	1	P10005167	WIRE - 10 GAUGE WHITE	WAYTEK WIRE
11	1	P10005165	WIRE - 14 GAUGE BLACK	WAYTEK WIRE
10	1	P10005164	ELECTRICAL TAPE	BLACK
9	5	P10002850	WEATHERPACK MALE PIN 12GA	WEATHERPACK MALE PIN 12GA
8	1	P10002761	2 CONTACT SHROUD	HALF PACKARD WEATHERPACK
7	1	P10002749	4 CONTACT SHROUD	HALF PACKARD WEATHERPACK
6	1	P10002684	CPC CLAMP STD FOR 7 & 9 PIN	SHELL SIZE 13
5	7	P10002566	CPC FEMALE PIN 16-14 GA	CPC FEMALE PIN 16-14 GA
4	1	P10002566	CPC CON-7 PIN PLUG STD	USE FEMALE PINS
2	5	P10001022	CABLE SEAL WEATHER PACK	WEATHER PACK
1	1	P10001019	SHRINK TUBE 1/4	STOCK



WAYTEK AND COMPANY
 10000 WOODBURN AVENUE
 WOODBURN, ILLINOIS 60090
 PHONE: (708) 339-1000
 FAX: (708) 339-1001
 WWW.WAYTEK.COM

STEPP WIRE
 STEPP WIRE TOOLING
 10000 WOODBURN AVENUE
 WOODBURN, ILLINOIS 60090
 PHONE: (708) 339-1000
 FAX: (708) 339-1001
 WWW.STEPPWIRE.COM

ROUTINGS: ELECTRICAL
 SCALE: 1:1
 WEIGHT: 0.3K
 PART NO: A10016282
 REV: B01+
 DO NOT SCALE DRAWING

13	1	P.10014900	TIMER - 24H/D/PT/40A NEMA 3R	SMAX 20 C/YC/DAY 120V-277V
12	1	P.10013576	BOOT-TOGGLE SWITCH BOOT	WEATHER PROOF BOOT
11	18	P.10013294	1 1/3 CABLE	SO SJO SOOW
10	20	P.10005168	WIRE 10/2 GRAY	GRAY CABLE
9	1	P.10002878	SWITCH DPST - TOGGLE ON/OFF	DPST
8	2	P.10002850	PIN MALE WEATHERPAK	FOR WEATHERPAK SHROUD
7	1	P.10002761	CONNECTOR - 2 PIN SHROUD	WEATHERPAK SHROUD
6	2	P.10002658	STRAIN RELIEF 3/4"	3/4" NPT
5	2	P.10001023	PIN FEMALE WEATHERPAK	FOR WEATHERPAK TOWER
4	8	P.10001022	CABLE SEAL - WEATHERPAK	CABLE SEAL
3	1	P.10001021	CONNECTOR - 2 PIN TOWER	WEATHERPAK TOWER
2	1	M.10013007	TIMER SWITCH PLATE	TIMER SWITCH PLATE ON/OFF
1	1	A.10007284	BATTERY CHARGER	GENESIS GEN2

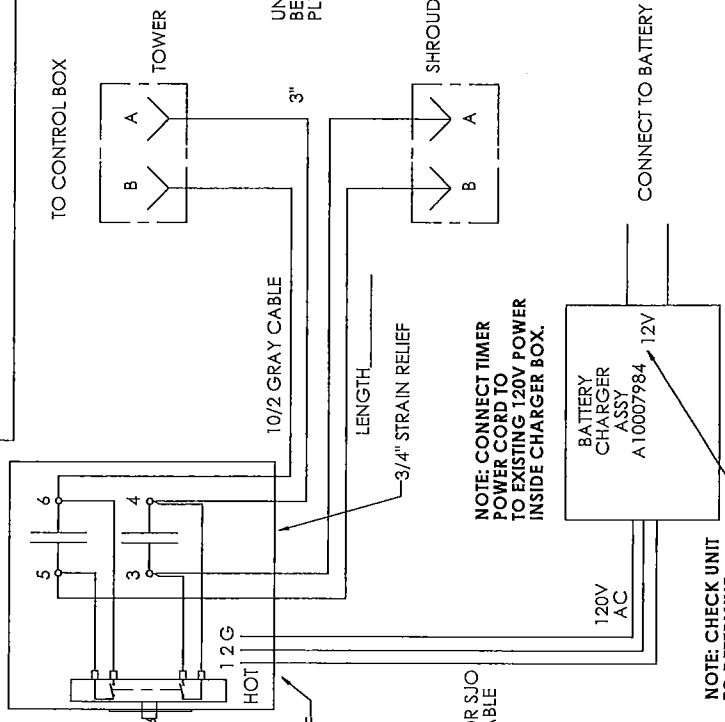
CONTROL BOX

DESCRIPTION-1

DESCRIPTION-2

NOTE: DOCUMENT CABLE LENGTHS

MOUNT TIMER ON
SIDE OF CONTROL BOX
24 HOUR TIMER

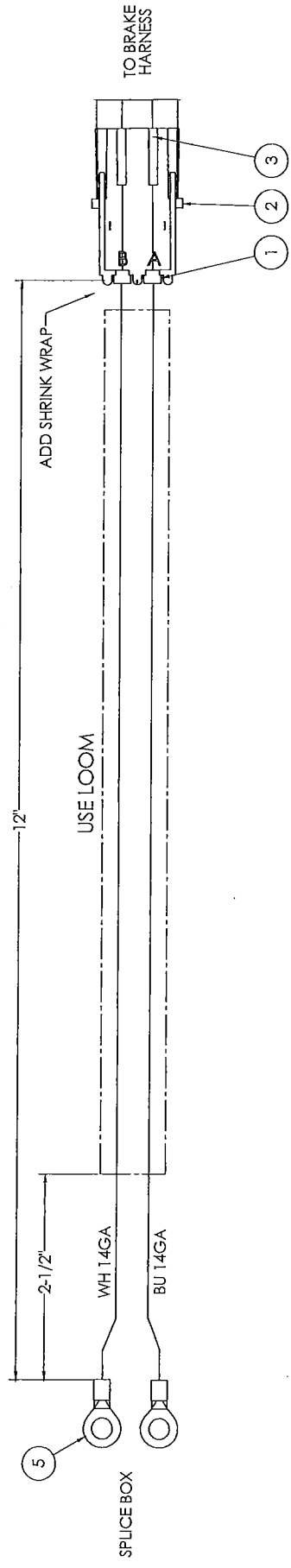


REV.	DESCRIPTION	DATE	APPR
B01	RELEASED FOR PROTOTYPE	5/5/2016	

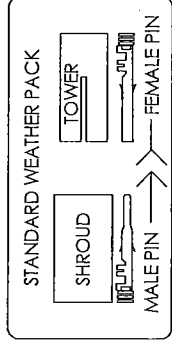
APPROVE AND CERTIFY THIS DRAWING FOR CONSTRUCTION. THE CONTRACTOR SHALL BE RESPONSIBLE FOR VERIFYING ALL DIMENSIONS AND MATERIALS. ANY CHANGES TO THIS DRAWING SHALL BE MADE BY THE CONTRACTOR.	
ROUTINGS	ELE
SCALE	2:1
WEIGHT	0.00
REV	A.10013000-004
REV	P01+
DO NOT SCALE DRAWING	
PAGE 1 OF 1	

STEP 1: MOUNT TIMER W/CHARGER	
STEP 2: MOUNT BATTERY W/CHARGER	
STEP 3: MOUNT BATTERY CHARGER	
STEP 4: MOUNT BATTERY CHARGER	
STEP 5: MOUNT BATTERY CHARGER	
STEP 6: MOUNT BATTERY CHARGER	
STEP 7: MOUNT BATTERY CHARGER	
STEP 8: MOUNT BATTERY CHARGER	
STEP 9: MOUNT BATTERY CHARGER	
STEP 10: MOUNT BATTERY CHARGER	
STEP 11: MOUNT BATTERY CHARGER	
STEP 12: MOUNT BATTERY CHARGER	
STEP 13: MOUNT BATTERY CHARGER	
STEP 14: MOUNT BATTERY CHARGER	
STEP 15: MOUNT BATTERY CHARGER	
STEP 16: MOUNT BATTERY CHARGER	
STEP 17: MOUNT BATTERY CHARGER	
STEP 18: MOUNT BATTERY CHARGER	
STEP 19: MOUNT BATTERY CHARGER	
STEP 20: MOUNT BATTERY CHARGER	
STEP 21: MOUNT BATTERY CHARGER	
STEP 22: MOUNT BATTERY CHARGER	
STEP 23: MOUNT BATTERY CHARGER	
STEP 24: MOUNT BATTERY CHARGER	
STEP 25: MOUNT BATTERY CHARGER	
STEP 26: MOUNT BATTERY CHARGER	
STEP 27: MOUNT BATTERY CHARGER	
STEP 28: MOUNT BATTERY CHARGER	
STEP 29: MOUNT BATTERY CHARGER	
STEP 30: MOUNT BATTERY CHARGER	
STEP 31: MOUNT BATTERY CHARGER	
STEP 32: MOUNT BATTERY CHARGER	
STEP 33: MOUNT BATTERY CHARGER	
STEP 34: MOUNT BATTERY CHARGER	
STEP 35: MOUNT BATTERY CHARGER	
STEP 36: MOUNT BATTERY CHARGER	
STEP 37: MOUNT BATTERY CHARGER	
STEP 38: MOUNT BATTERY CHARGER	
STEP 39: MOUNT BATTERY CHARGER	
STEP 40: MOUNT BATTERY CHARGER	
STEP 41: MOUNT BATTERY CHARGER	
STEP 42: MOUNT BATTERY CHARGER	
STEP 43: MOUNT BATTERY CHARGER	
STEP 44: MOUNT BATTERY CHARGER	
STEP 45: MOUNT BATTERY CHARGER	
STEP 46: MOUNT BATTERY CHARGER	
STEP 47: MOUNT BATTERY CHARGER	
STEP 48: MOUNT BATTERY CHARGER	
STEP 49: MOUNT BATTERY CHARGER	
STEP 50: MOUNT BATTERY CHARGER	
STEP 51: MOUNT BATTERY CHARGER	
STEP 52: MOUNT BATTERY CHARGER	
STEP 53: MOUNT BATTERY CHARGER	
STEP 54: MOUNT BATTERY CHARGER	
STEP 55: MOUNT BATTERY CHARGER	
STEP 56: MOUNT BATTERY CHARGER	
STEP 57: MOUNT BATTERY CHARGER	
STEP 58: MOUNT BATTERY CHARGER	
STEP 59: MOUNT BATTERY CHARGER	
STEP 60: MOUNT BATTERY CHARGER	
STEP 61: MOUNT BATTERY CHARGER	
STEP 62: MOUNT BATTERY CHARGER	
STEP 63: MOUNT BATTERY CHARGER	
STEP 64: MOUNT BATTERY CHARGER	
STEP 65: MOUNT BATTERY CHARGER	
STEP 66: MOUNT BATTERY CHARGER	
STEP 67: MOUNT BATTERY CHARGER	
STEP 68: MOUNT BATTERY CHARGER	
STEP 69: MOUNT BATTERY CHARGER	
STEP 70: MOUNT BATTERY CHARGER	
STEP 71: MOUNT BATTERY CHARGER	
STEP 72: MOUNT BATTERY CHARGER	
STEP 73: MOUNT BATTERY CHARGER	
STEP 74: MOUNT BATTERY CHARGER	
STEP 75: MOUNT BATTERY CHARGER	
STEP 76: MOUNT BATTERY CHARGER	
STEP 77: MOUNT BATTERY CHARGER	
STEP 78: MOUNT BATTERY CHARGER	
STEP 79: MOUNT BATTERY CHARGER	
STEP 80: MOUNT BATTERY CHARGER	
STEP 81: MOUNT BATTERY CHARGER	
STEP 82: MOUNT BATTERY CHARGER	
STEP 83: MOUNT BATTERY CHARGER	
STEP 84: MOUNT BATTERY CHARGER	
STEP 85: MOUNT BATTERY CHARGER	
STEP 86: MOUNT BATTERY CHARGER	
STEP 87: MOUNT BATTERY CHARGER	
STEP 88: MOUNT BATTERY CHARGER	
STEP 89: MOUNT BATTERY CHARGER	
STEP 90: MOUNT BATTERY CHARGER	
STEP 91: MOUNT BATTERY CHARGER	
STEP 92: MOUNT BATTERY CHARGER	
STEP 93: MOUNT BATTERY CHARGER	
STEP 94: MOUNT BATTERY CHARGER	
STEP 95: MOUNT BATTERY CHARGER	
STEP 96: MOUNT BATTERY CHARGER	
STEP 97: MOUNT BATTERY CHARGER	
STEP 98: MOUNT BATTERY CHARGER	
STEP 99: MOUNT BATTERY CHARGER	
STEP 100: MOUNT BATTERY CHARGER	

REV.	DESCRIPTION	DATE	APPR
B01	RELEASED FOR PROTOTYPE	8/28/2014	



ITEM NO.	QTY.	PartNo	Description-1	Description-2
5	2	P10007273	RING TERMINAL	10-STUD, 16-14 GA
4	1	P10005744	LOOM FLEX 1/2	BLACK
3	2	P10002850	WEATHERPACK MALE PIN 12GA	WEATHERPACK MALE PIN 12GA
2	1	P10002761	2 CONTACT SHROUD	HALF PACKARD WEATHERPACK
1	2	P10001022	CABLE SEAL WEATHER PACK	WEATHER PACK



THIS DRAWING IS THE PROPERTY OF STEPP MFG CO., INC. IT IS TO BE USED ONLY FOR THE PROJECT AND QUANTITY SPECIFIED. IT IS NOT TO BE REPRODUCED, COPIED, OR TRANSMITTED IN ANY FORM OR BY ANY MEANS, ELECTRONIC OR MECHANICAL, INCLUDING PHOTOCOPYING, RECORDING, OR BY ANY INFORMATION STORAGE AND RETRIEVAL SYSTEM.

STEPP MFG CO., INC.
 2121 S. 10TH AVE., SUITE 100
 DENVER, CO 80202-1001
 TEL: 303.733.1100 FAX: 303.733.1101
 WWW.STEPPMFG.COM

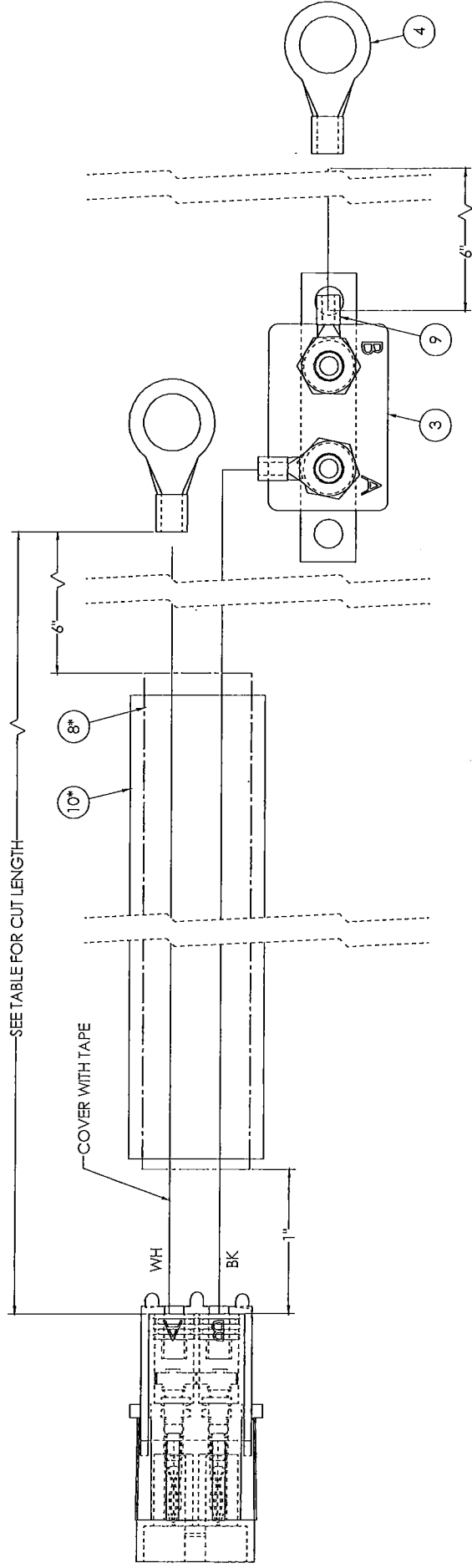
PROJECT: WH - BRAKE SPH
 PART NO.: A10014523
 REV: 002
 ELECTRICAL
 ROUTINGS
 SCALE: 2:1
 DO NOT SCALE DRAWING
 LIMIT CDR

PART NO.	CUT LENGTH (IN)
A10016281-000	TO BE DETERMINED
A10016281-181	181

REVISIONS		
REV.	DESCRIPTION	DATE
B01	RELEASED FOR PROTOTYPE	5/9/2016
B02	ECR 160200181-181 CONSOLE	6/24/2016

SOLDER ALL CONNECTORS AFTER CRIMPING

WIRE COLOR
 WH - GROUND - 1
 BK - POWER - 2



10	LENGTH-6"	P10014541	LOOM - FLEX 3/8	LOOM - FLEX 3/8
9	2	P10007273	RING TERMINAL	10-STUD, 16-14 GA
8	LENGTH	P10005168	WIRE - 10/2 GRAY CABLE	
7	1 FT	P10005164	ELECTRICAL TAPE	BLACK
6	2	P10002850	WEATHERPACK MALE PIN 12GA	WEATHERPACK MALE PIN 12GA
5	1	P10002761	2 CONTACT SHROUD	HALF PACKARD WEATHERPACK
4	2	P10002673	10 GA 3/8 RING UNINSULATED	3/8 10GA
3	1	P10002031	BREAKER	20 AMP AUTO RESET
2	2	P10001022	CABLE SEAL WEATHER PACK	WEATHER PACK
1	.5 FT	P10001019	SHRINK TUBE 1/4	STOCK
ITEM NO.	QTY.	PartNo	Description-1	Description-2

STERRIP MARK CO. INC.
 1225 N. 10th St., Suite 100, Lincoln, NE 68502
 (402) 466-1111
 FAX (402) 466-1112
 WWW.STERRIPMARK.COM

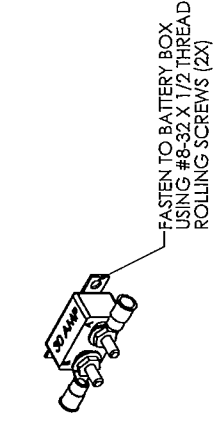
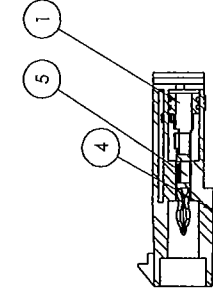
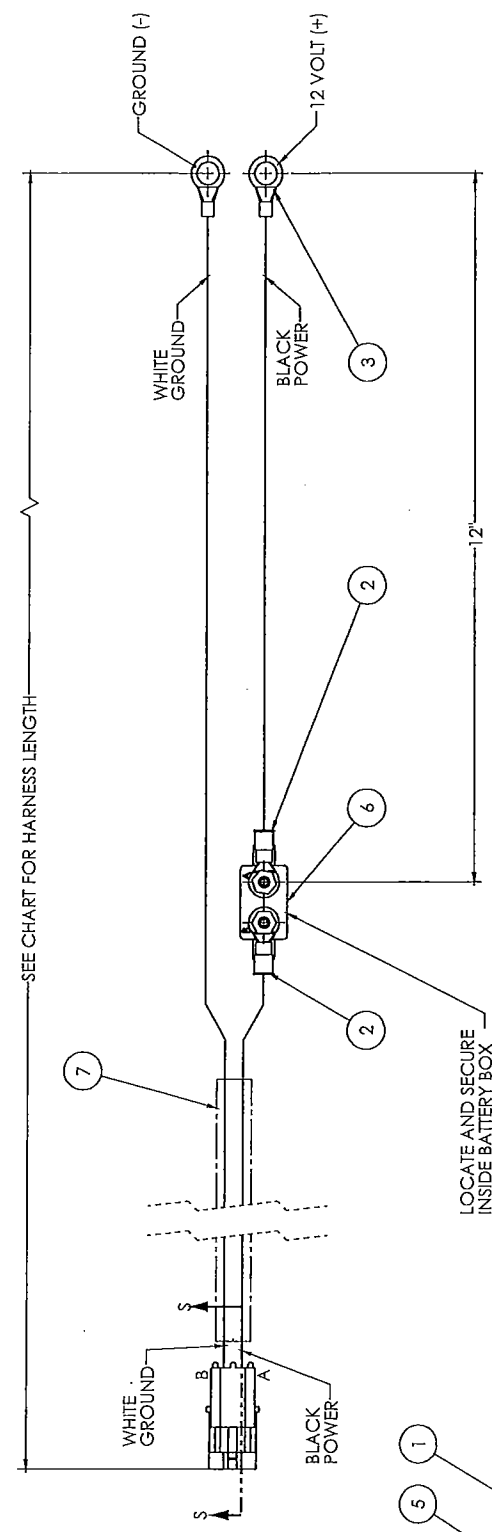
STERRIP MARK CO. INC.
 WH - CE POWER DCCA
 CONTROL BOX TO BATTERY

ROUTINGS
 5264528 Part No. A10016281 R02
 DO NOT SCALE DRAWING

SCALE: 1:2
 WSRH: 0.23
 SHEET 1 OF 1

DASH NUMBER	HARNESS LENGTH	UNIT TYPE
-000	UNDETERMINED	UNSPECIFIED
-001	96"	SPHD
-002	200"	SPH

REV.	DESCRIPTION	DATE	APPR
B03	ADDED HARNESS LENGTH	9/21/2014	
B04	CHANGED PLUG POLARITY	11/21/2014	
B05	SPHD WAS 86" LONG	11/21/2014	



7	1	P10014136	WIRE - 12/2 GRAY CABLE		
6	1	P10011669	BREAKER	30 AMP AUTO RESET	
5	2	P10002850	WEATHERPACK MALE PIN 12GA	WEATHERPACK MALE PIN 12GA	
4	1	P10002761	2 CONTACT SHROUD	HALF PACKARD WEATHERPACK	
3	2	P10002673	10 GA 3/8 RING UNINSULATED		
2	2	P10002672	10 GA RING TERMINAL 1/4		
1	2	P10001022	CABLE SEAL WEATHER PACK	WEATHER PACK	
ITEM NO.	Default /QTY.	PartNo	Description-1	Description-2	

STEP STEPP MFG CO INC

INDUSTRIAL AND COMMERCIAL ELECTRICAL DIVISION
 2000 W. 10TH AVENUE
 DENVER, CO 80202-1000
 TEL: 303.733.1100
 FAX: 303.733.1101
 WWW.STEPPMFG.COM

STEPP HARNESS ASST
 CONTACT CENTER POWER

ROUTINGS
 PART NO. A10014138
 REV B05*

DO NOT SCALE DRAWING

WEIGHT 0.23

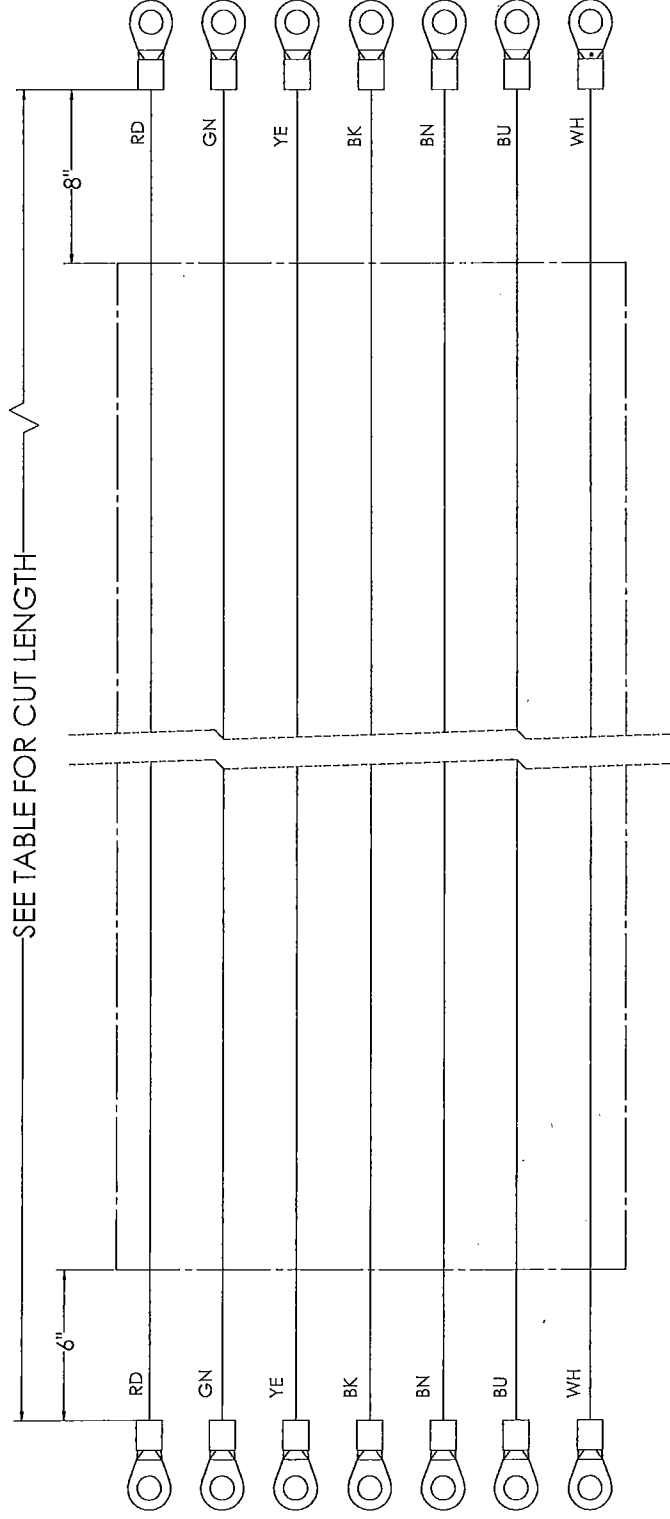
SCALE: 1:1

SHEET 1 OF 1

STOCK NO.	WIRE CUT LENGTH
A10013921	1.56' LONG
A10013921-000	DOCUMENT WIRE LENGTH
A10013921-156	1.56' LONG
A10013921-212	2.12' LONG

REV.	DESCRIPTION	DATE	APPR
B01	RELEASED FOR PROTOTYPE	2/6/2014	
B02	ADDED CONFIGURATIONS	5/11/2016	

SEE TABLE FOR CUT LENGTH



J-BOX

BATTERY BOX

ITEM NO.	QTY.	PartNo	Description-1	Description-2
2	13	P10005152	CABLE TRAILER 7-WIRE BLUE	
1	14	P10008333	10-STUD, 12-14 GA	
			RING TERMINAL	

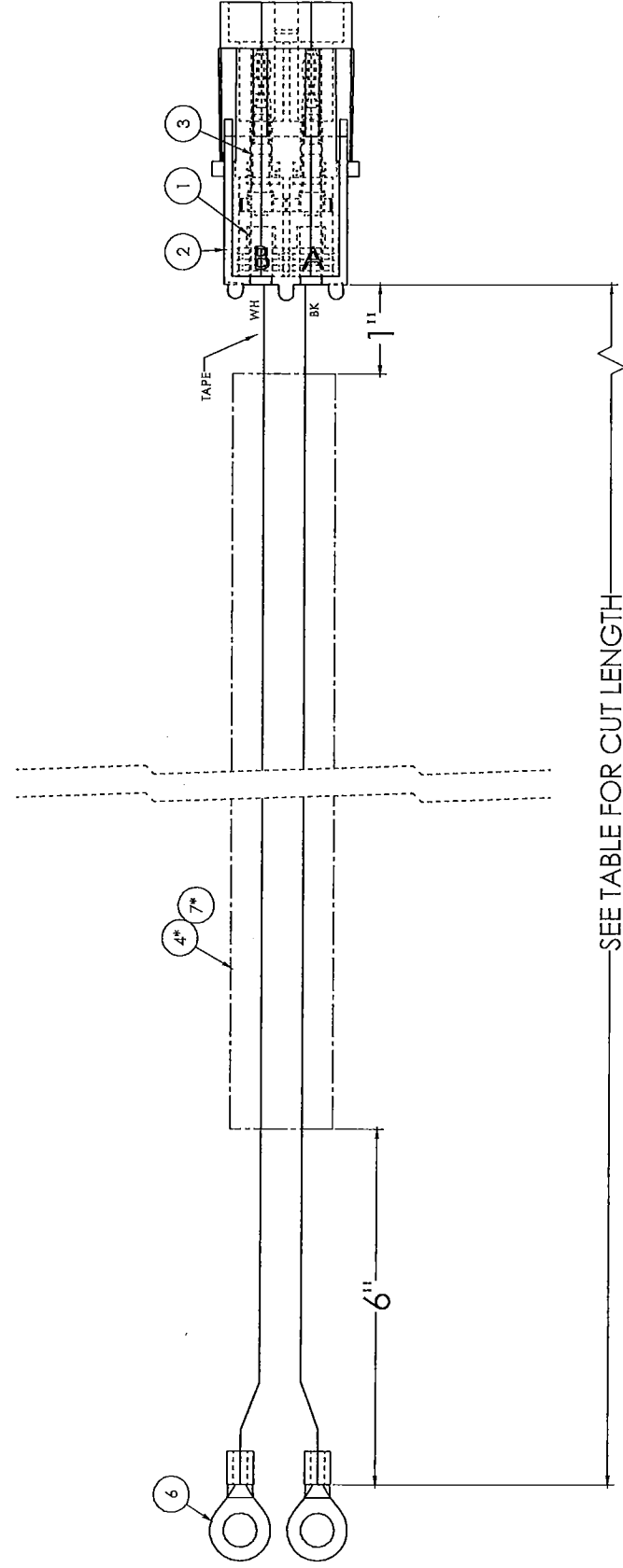
STREPPING TOOL INC.
 10000 W. 100th St. #100
 Overland Park, KS 66210
 (913) 666-1111
 www.strepping.com

ALL INFORMATION CONTAINED HEREIN IS UNCLASSIFIED EXCEPT WHERE SHOWN OTHERWISE. IT IS THE PROPERTY OF STREPPING TOOL INC. AND IS TO BE USED ONLY FOR THE PROJECTS AND PURPOSES SPECIFIED HEREIN.

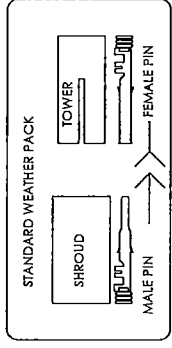
ROUTINGS ELECTRICAL
 SCALE: 2:1 WEIGHT: 0.04
 PART NO. A10013921
 REV. B02
 SHEET 01

STOCK NO.	WIRE CUT LENGTH
A10010576	20" LONG
A10010574-000	DOCUMENT WIRE LENGTH
A10010574-020	20" LONG

REV.	DESCRIPTION	DATE	APPZ
001	RELEASED FOR PRODUCTION	1/12/03	
002	WAS 4 WIRE HARNESS	4/17/2013	
003	ADDED CONFIGURATIONS	5/11/2016	



ITEM NO.	QTY.	PartNo	Description-1	Description-2
7	1	P10014541	LOOM - FLY 9/B	LOOM - FLY 9/B
8	2	P10007273	RING TERMINAL	DO SHUD. 16-1 E-5A
9	1	P10005164	ELECTRICAL TAPE	BLACK
4	1	P10003150	WIRE - 17/2 CABLE GRAY	BLACK/WHITE
3	2	P10029530	WEATHERPACK MALE PIN 12GA	WEATHERPACK MALE PIN 12GA
1	2	P10001022	CABLE SEAL WEATHER PACK	WEATHERPACK WEATHERPACK



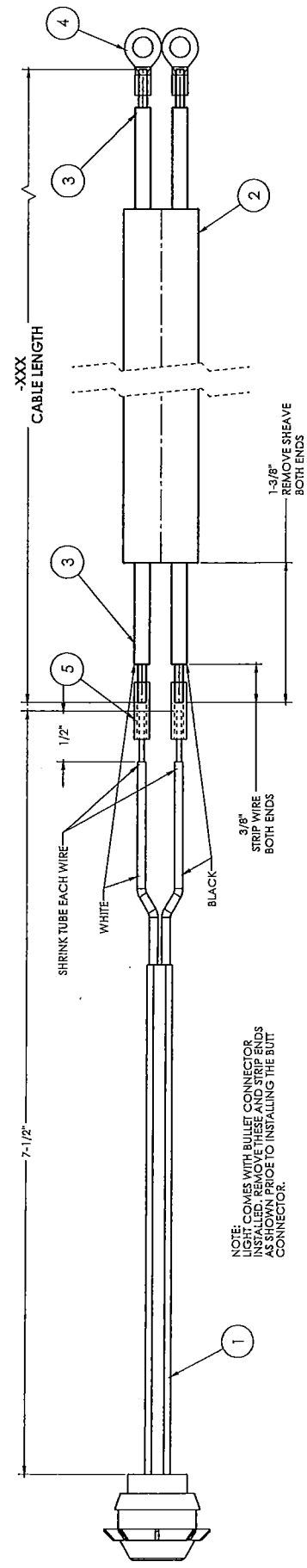
REQUIREMENTS AND CONDITIONS: 1. THIS DRAWING IS THE PROPERTY OF STEPP MFG CO. INC. IT IS TO BE USED ONLY FOR THE PURPOSES SPECIFIED HEREIN. IT IS NOT TO BE REPRODUCED OR TRANSMITTED IN ANY FORM OR BY ANY MEANS, ELECTRONIC OR MECHANICAL, INCLUDING PHOTOCOPYING, RECORDING, OR BY ANY INFORMATION STORAGE AND RETRIEVAL SYSTEM.	STEPP MFG CO. INC. 12215 1/2 ST. W. W. 100010576-001 WILSONVILLE, OR 97150-4800 TEL: 503-265-1100 FAX: 503-265-1101
ROUTINGS: ELECTRICAL	WH - BRAKE EXTENSION BK - BRAKE EXTENSION LASHY
SCALE: 3:1	WEIGHT: 0.02
DO NOT SCALE DRAWING	Part No: A10010576
	REV: 003
	HEET 001

Part No.	Length
A10008368	52"
A10008368-000	UNDOCUMENTED
A10008368-096	96"
A10008368-180	180"

REV.	DESCRIPTION	DATE	APP'D
1	ISSUED FOR PRODUCTION	7/23/08	
2	ADDED LENGTH CONNECTOR	7/24/08	

SEE PART NO. ON CHART FOR CABLE LENGTH

-000 REQUIRES DOCUMENTATION RETURNED TO ENGINEERING FOR LENGTH AND WHERE USED.



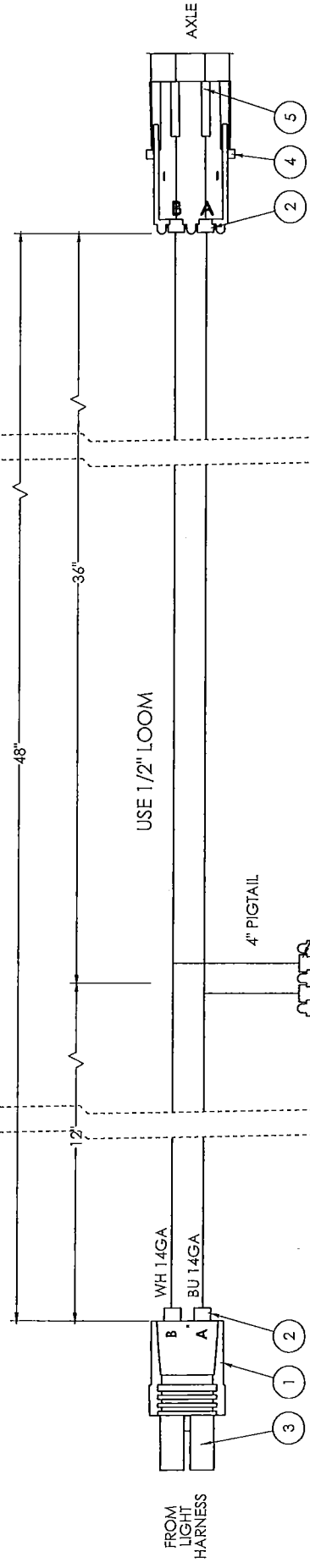
NOTE:
LIGHT CONES WITH BULLET CONNECTOR
SHOULD BE USED INSTEAD OF THE BUSH
AS SHOWN PRIOR TO INSTALLING THE BUSH
CONNECTOR.

P/N A10008368 IS 52" LENGTH. DO BELIEVE THIS IS BOUGHT-OUT. PRINT DOES NOT HAVE P/N A10008368-052 ON IT. PRINT WILL NEED TO BE UPDATED AT SOME POINT. WILL BE USING A10008368 IN PLACE OF A10008368-052 FOR NOW. DENNIS 03/24/2016

ITEM NO.	AS DRAWN/QTY.	PartNo	Description-1	Description-2
5	2	P10002861	16-14 GA BUTT CONNECTOR	NON-INSULATED
4	2	P10007273	RING TERMINAL	10-STUD, 16-14 GA
3	1	P10001019	SHRINK TUBE 1/4	STOCK
2	1	P10005145	WIRE - 18/2 CABLE GRAY	
1	1	P10007246	3/4 INCH MINI COMBINATION AMBER	CLEARANCE LIGHT

PROPERTY AND CONFIDENTIALITY STATEMENT	MANUFACTURING INFORMATION	STEP P/N	STEP MFG CO. INC.
THIS DRAWING IS THE PROPERTY OF STEPP MFG CO. INC. IT IS TO BE USED ONLY FOR THE PURPOSES SPECIFIED HEREIN. IT IS NOT TO BE REPRODUCED, COPIED, OR TRANSMITTED IN ANY FORM OR BY ANY MEANS, ELECTRONIC OR MECHANICAL, INCLUDING PHOTOCOPYING, RECORDING, OR BY ANY INFORMATION STORAGE AND RETRIEVAL SYSTEM, WITHOUT THE WRITTEN PERMISSION OF STEPP MFG CO. INC.	DATE OF ISSUE: 03/24/2016 REVISED: 03/24/2016 ISSUED BY: DENNIS	10008368-052	STEP MFG CO. INC. 1000 STEPP DRIVE MARIETTA, GA 30067
ROUTINGS	1700	WEIGHT: 0.03	DO NOT SCALE DRAWING
			SHEET 1 OF 1

REV.	DESCRIPTION	DATE	APPR.
B01	RELEASED FOR PROTOTYPE	10/7/2013	

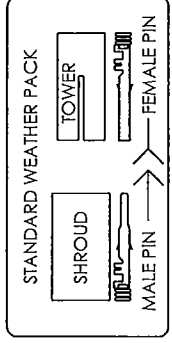


FROM LIGHT HARNESS

USE 1/2" LOOM

HARNESS - ELECTRIC BRAKES, TANDEM AXLE

ITEM NO.	QTY.	PartNo	Description-1	Description-2
8	1	P10005744	LOOM FLEX 1/2	BLACK
7	1	P10005224	WIRE - 14 GA - BLUE	WAYTEK WIRE
6	1	P10005221	WIRE - 14 GA - WHITE	WAYTEK WIRE
5	4	P10002850	WEATHERPACK - MALE PIN 12GA	WEATHERPACK - MALE PIN 12GA
4	2	P10002761	2 CONTACT SHROUD	HALF PACKARD WEATHERPACK
3	2	P10001023	WEATHERPACK - FEMALE PIN 12GA	WEATHERPACK - FEMALE PIN 12GA
2	6	P10001022	CABLE SEAL WEATHER PACK	WEATHER PACK
1	1	P10001021	2 CONTACT TOWER	HALF PACKARD WEATHERPACK



FOR WIRE AND CABLES, REFER TO THE WIRE AND CABLE SPECIFICATIONS IN THE DRAWING. THE WIRE AND CABLE MUST BE USED AS SPECIFIED. THE WIRE AND CABLE MUST BE USED AS SPECIFIED. THE WIRE AND CABLE MUST BE USED AS SPECIFIED.

ROUTINGS: ELECTRICAL

SCALE: 2:1

WEIGHT: 0.03

REV: A10013217

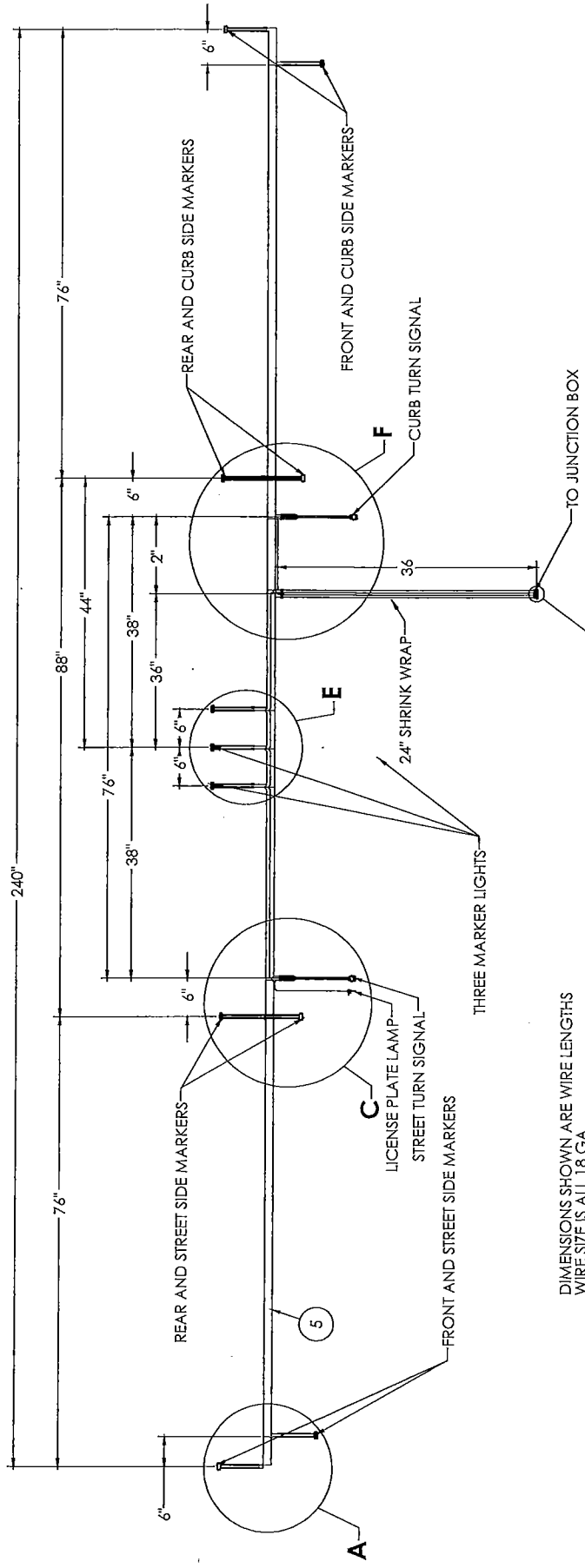
REV: 1

DO NOT SCALE DRAWING

STEPP MFG STEPPERS CO., INC.
 1000 W. 10TH AVE. SUITE 100
 DENVER, CO 80202
 (303) 733-1111
 WWW.STEPPERS.COM

WH - ELE BRAKES/TANDEM AXLE
 EB - ELECTRIC BRAKES

REV.	DESCRIPTION	DATE	APPR.
C03	CHANGED TO MALE WP PIN & JBOX WIRE COLOR	6/18/2013	
C04	ADDED 6" TO MKER	4/24/2014	
C05	REVISED AND REDRAWN	5/8/2014	

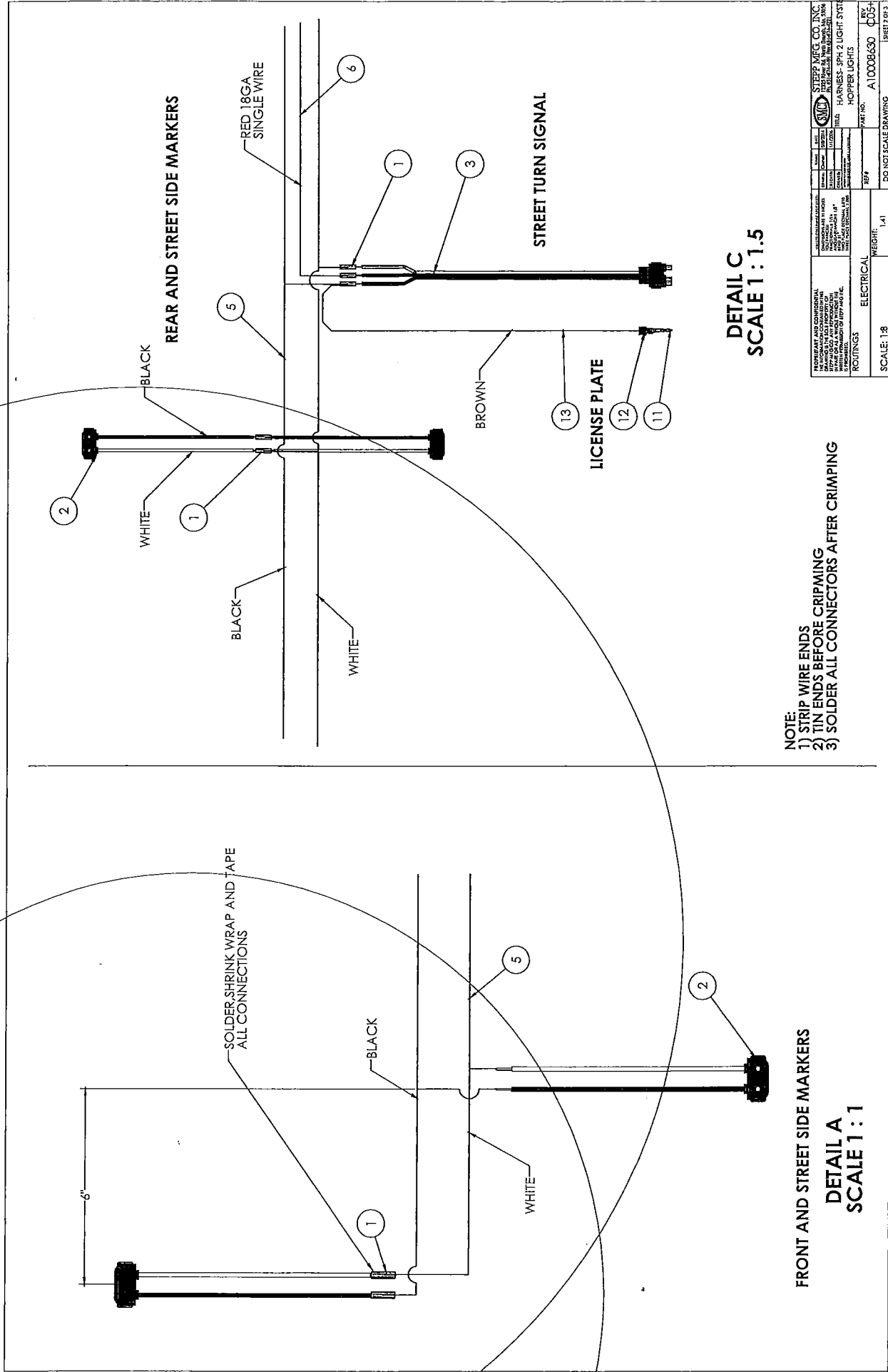


DIMENSIONS SHOWN ARE WIRE LENGTHS
WIRE SIZE IS ALL 18 GA
18-2 THRU OUT EXCEPT WERE NOTED

13	1	P10001022	CABLE SEAL WEATHER PACK	WEATHER PACK
12	1	P10002850	WEATHERPACK MALE PIN 12GA	WEATHERPACK MALE PIN 12GA
11	6 FT	P10001019	SHRINK TUBE 1/4	STOCK
10	6 FT	P10005164	ELECTRICAL TAPE	BLACK
9	3 FT	P10005221	WIRE - 14 GA - WHITE	WAYTEK WIRE
8	3 FT	P10005218	WIRE - 14 GA - BROWN	WAYTEK WIRE
7	3 FT	P10005216	WIRE - 14 GA - YELLOW	WAYTEK WIRE
6	3 FT	P10005222	WIRE - 14 GA - GREEN	WAYTEK WIRE
5	19 FT	P10005145	WIRE - 18/2 CABLE GRAY	
4	4	P10007273	RING TERMINAL	10-STUD, 1&-14 GA
3	2	P10002867	CONNECTOR PIGTAIL	FOR 4" DIA. STOP-TAIL-TURN
2	11	P10002866	CONNECTOR PIGTAIL	FOR SEALED CLEARANCE LIGHTS
1	24	P10002861	1&-14 GA BUTT CONNECTOR	NON-INSULATED
ITEM NO.	Qty	PartNo	Description-1	Description-2

- NOTE:
1) STRIP WIRE ENDS
2) TIN ENDS BEFORE CRIMPING
3) SOLDER ALL CONNECTORS AFTER CRIMPING

REV.	DESCRIPTION	DATE	APPR.
C03	CHANGED TO MALE WP PIN & JBOX WIRE COLOR	6/18/2013	
C04	ADDED 6" TO MKER	4/24/2014	
C05	REVISED AND REDRAWN	5/8/2014	



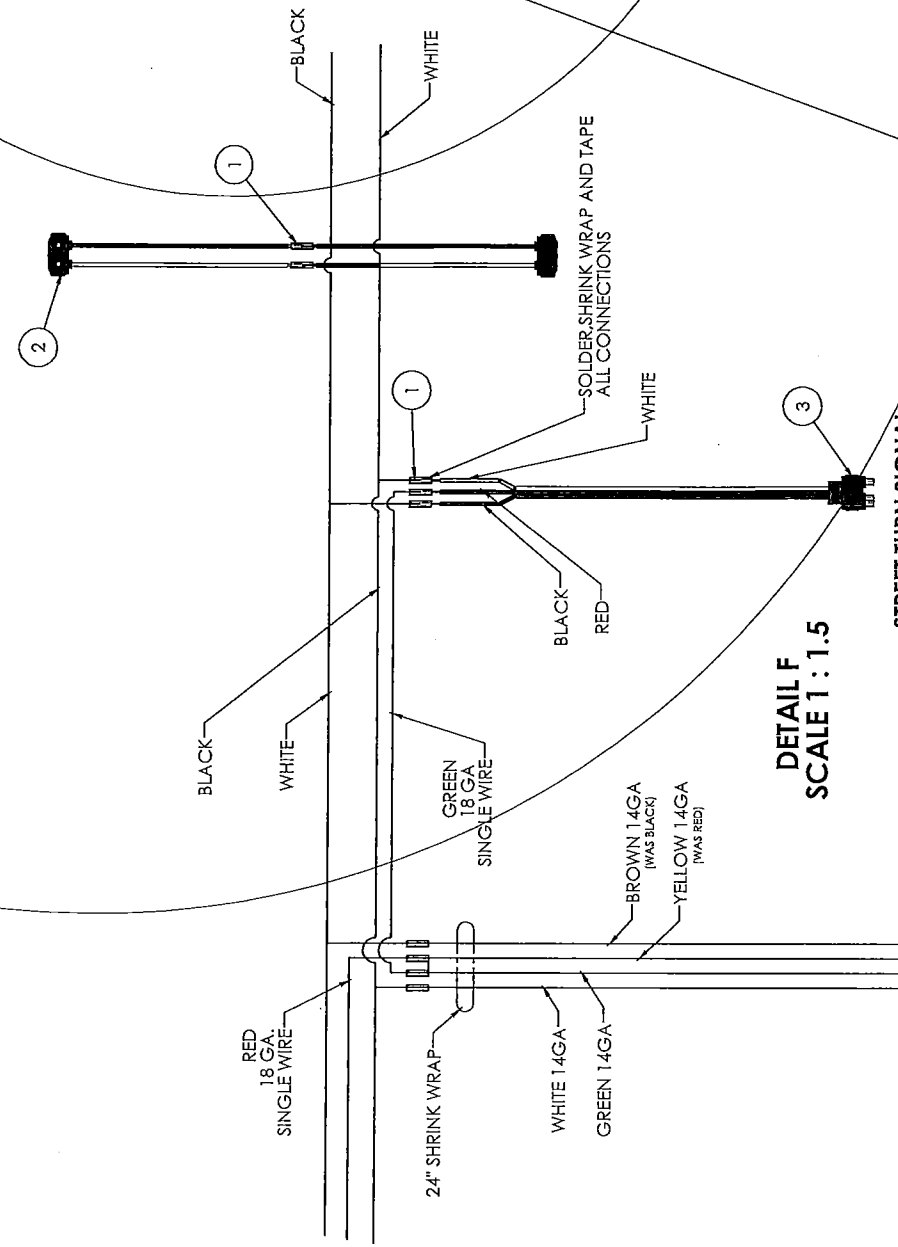
NOTE:
 1) STRIP WIRE ENDS
 2) TIN ENDS BEFORE CRIMPING
 3) SOLDER ALL CONNECTORS AFTER CRIMPING

DETAIL C
SCALE 1:1.5

FRONT AND STREET SIDE MARKERS
DETAIL A
SCALE 1:1

FROM BENT AND COMMERCIAL ELECTRICAL SUPPLY CO. INC. 1000 BROADWAY, NEW YORK, N.Y. 10018		STEPP MFG CO. INC. 1000 BROADWAY, NEW YORK, N.Y. 10018	
DRAWING NO. 10009630 REV. 1/64	PROJECT NO. A10009630	TITLE HOPPER LIGHTS	SHEET NO. 005- SHEET 2 OF 3
ROUTINGS ELECTRICAL	WEIGHT 1.41	DO NOT SCALE DRAWING	

NOTE:
 1) STRIP WIRE ENDS
 2) TIN ENDS BEFORE CRIMPING
 3) SOLDER ALL CONNECTORS AFTER CRIMPING

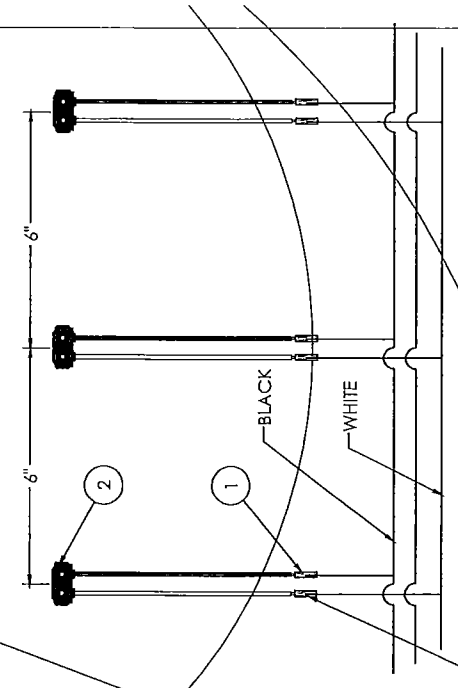


DETAIL F
 SCALE 1 : 1.5

STREET TURN SIGNAL

TO JUNCTION BOX

THREE MARKER LIGHTS



DETAIL E
 SCALE 1 : 1.5

SOLDER-SHRINK WRAP AND TAPE
 ALL CONNECTIONS

PROPERTY AND CONSTRUCTION		STEPPED WIRE CO. INC.	
DATE	REV.	DATE	REV.
DESIGNED BY	DRAWN BY	DATE	REV.
CHECKED BY	TESTED BY	DATE	REV.
APPROVED BY	DATE	DATE	REV.
ROUTINGS		PART NO.	
ELECTRICAL		A-10008630	
SCALE: 1:8		DO NOT SCALE DRAWING	
WEIGHT: 1.41		LBY	
		SHEET 2 OF 3	