



*“Providing Road Maintenance Solutions for
over 78 Years!!”*



SPH ASPHALT HOT BOX

***For Heating and Applying Hot Mix and
Cold Patch Materials for Pothole Repair***

***Available in 1.5Cy (2ton), 2.0 Cy (3ton),
3.0 Cy (4ton)***

LP Or Diesel Fired

Gas Shock Assisted Top Doors
LP or Diesel Heat
Triple Wall Construction
¼" Stainless Steel Floor



Center Heated Baffle
Optional Tack Tank, Compactor Plate Carrier,
Platform, Overnight Heaters



SPH 3.0
HEAVY DUTY POWER TRAILER

STEPP MFG
APPLY TO MAINTENANCE EQUIPMENT 614-614-4444
STEPPMFG.COM







STEPH MFG CO INC
SPH-2.0 SMCI
NORTH BRANCH MN 651-674-1491





SMCI STEPP MFG CO INC
SPH-3.0
NORTH BRANCH MN 651-674-4491

SMCI STEPP MFG CO INC
SPH-2.0
NORTH BRANCH MN 651-674-4491











STEPP MFG CO INC
SPH-3.0
NORTH BRANCH MN 651-674-4491



NMR

512AVV



SMCI

STEPP MFG CO INC
SPH-2.0
NORTH BRANCH MN 651-674-4491







STEPP MFG
CO INC

SPH1.5

8000 BLANCH RD
859 674 4471



SPHD DUMP STYLE ASPHALT HOT BOX
For Heating and Applying Hot Mix and Cold
Patch Materials for Pothole Repair

Available in 2.0 Cy (3ton),
3.0 Cy (4ton)

Oil Jacketed-Diesel Fired-Dump Discharge



Lowest Profile on the Market
50° Dump Angle
Oil Jacketed Heating System
Diesel Burner With Auto Temp Controls

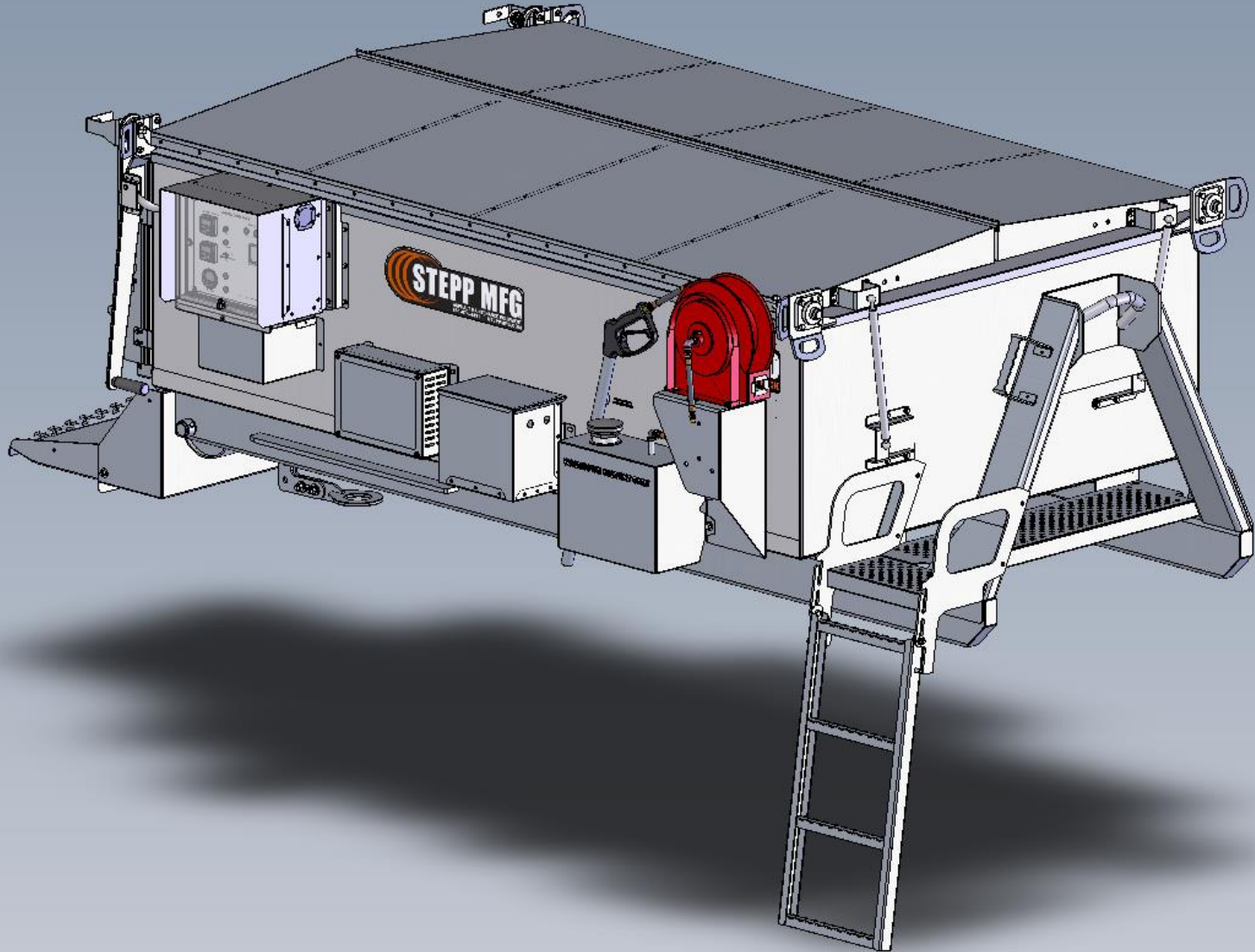
12,000# Scissor Hoist
Optional Tack Tank, Compactor Carrier

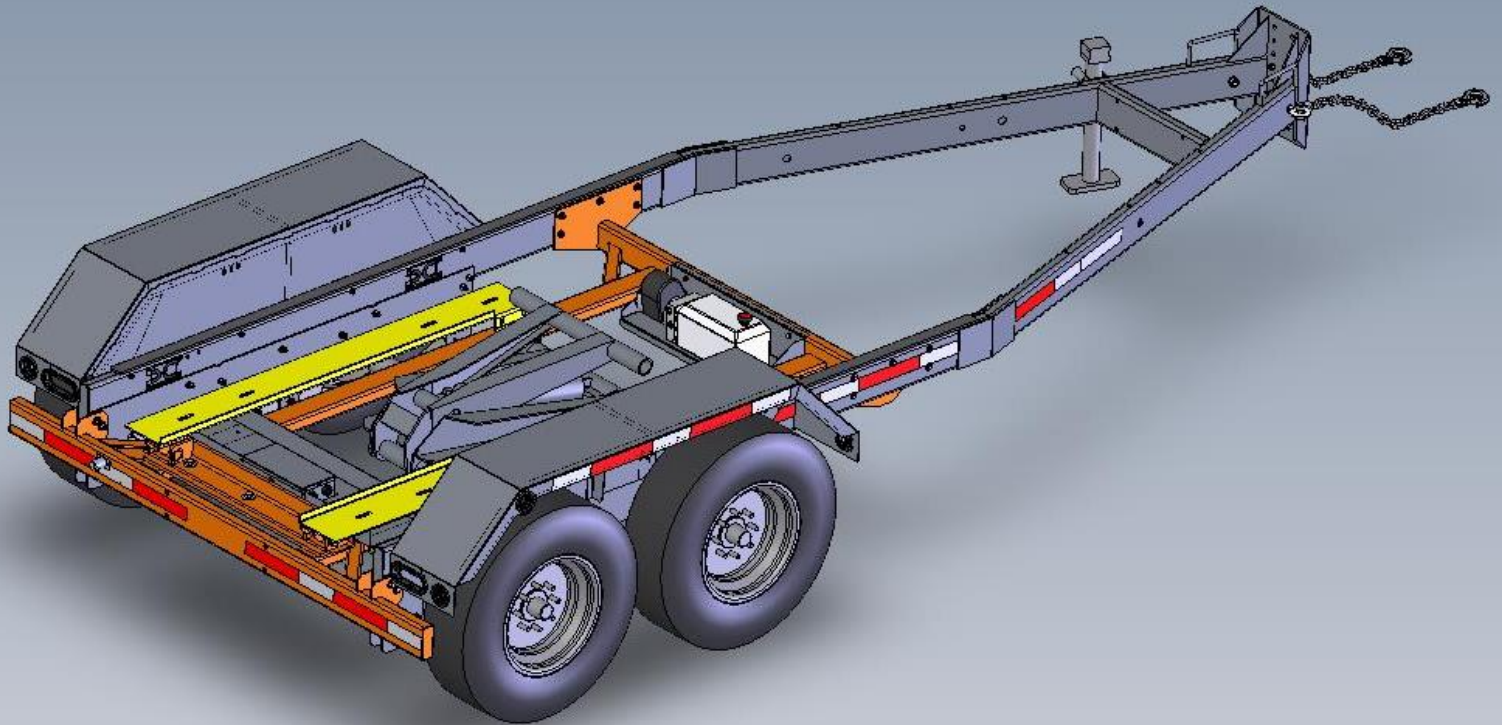


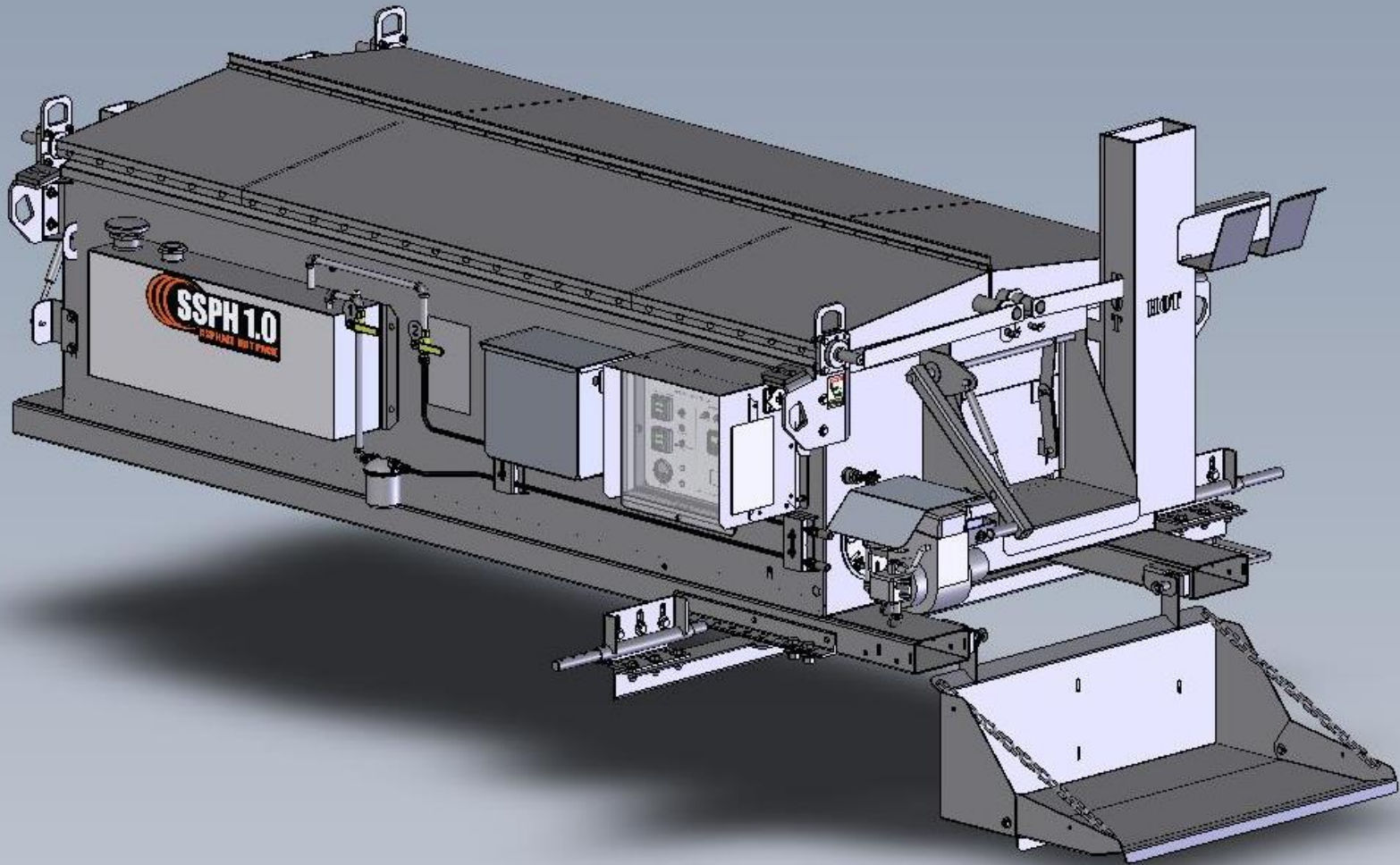


























SPHD 3.0
ASPHALT DUMP TRAILER

STEEP MFG
ASPHALT MAINTENANCE EQUIPMENT 851-674-4691
STEEP.MFG.US

WASH DOWN SOLVENT ONLY

STEEP MFG STEEP MFG STEEP MFG STEEP MFG STEEP MFG

The logo features three curved orange lines on the left side, resembling a stylized 'S' or a series of overlapping arcs. To the right of these lines, the text 'SPH-OJ' is written in a large, bold, white sans-serif font. Below 'SPH-OJ', the words 'ASPHALT AUGER DISCHARGE HOT BOX' are written in a smaller, bold, orange sans-serif font.

SPH-OJ
ASPHALT AUGER DISCHARGE HOT BOX

***SPH-OJ OIL JACKETED, AUGER DISCHARGE
ASPHALT HOT BOX***

***For Heating and Applying Hot Mix and Cold
Patch Materials for Pothole Repair***

***Available in 2.0 Cy (3ton),
3.0 Cy (4ton)***

Oil Jacketed-Diesel Fired-Auger Delivery

**Oil Jacketed
Auger Discharge
Kubota Diesel Engine
Diesel Burner**



**Hydraulic Top Doors
Optional Tack Tank, Compactor Plate Carrier**













Lighting and safety features on the rear of the yellow unit, including three red circular lights in a row, two red rectangular lights on the left, and two red rectangular lights on the right. Reflective silver strips are also present.

Hydraulic control panel with a yellow cover and several black hoses connected to it.

A red fire extinguisher mounted on a black platform on the left side of the vehicle.

A circular pressure gauge or sensor mounted on the side of the yellow unit.

A yellow circular hydraulic fitting or port located on the lower front of the yellow body.

A black bumper or fender on the left side with a red and white reflective strip.

A black metal platform or step with a red and white reflective strip on its front edge.

A black metal platform or step with a red and white reflective strip on its front edge, positioned lower than the other platform.









SMCI

STEPP MFG CO INC
NORTH BRANCH MIN 551-674-4491
SPH-2.0-OJ

[TACK OIL ONLY]

HVT



SMCI
STEPP MFG CO INC
NORTH BRANCH MN 56471-4401
SPH-2.0-OJ

[TACK OIL ONLY]



STEPP MFG

ASPHALT MAINTENANCE EQUIPMENT

PH: 651-674-4491

North Branch, MN